

NOTICE!!

These documents have been scanned!

Do not place un-scanned documents beneath this notice!

Do not remove this notice from this file!

GPO Jacket No. 560-102
Print Order 61540
Rise Business Services, LLC
Job=AZ15 6/24/2019



Box Number= AZ15128



Claim Begin-End: AMC427635-AMC427649

1 Initial Receipt



AZ15128-13

AMC427444-AMC427733

United States Department of the Interior
Bureau of Land Management
 LANDS/RECREATION & PLANNING
 ONE N CENTRAL AVE
 PHOENIX, AZ 85004 -2203
 Phone: 602-417-9200

ENTERED
 APR 02 2014
 BY: *PM*

Receipt

No: 2993521

Transaction #: 3082945	
Date of Transaction: 03/21/2014	
CUSTOMER:	
CRISTOL ENTERPRISES LLC 870 INNISFREE DR SAINT CHARLES,MO 63301-4470 US	

LINE #	QTY	DESCRIPTION	REMARKS	UNIT PRICE	TOTAL
1	15.00	LOCATABLE MINERALS / MINING CLAIMS-NEW,UNADJUD, ONE OR MORE AUTH NOS / NEW MINING CLAIM LOCATION FEE \$34 CASES: AMC427635/\$34.00, AMC427636/\$34.00, AMC427637/\$34.00, AMC427638/\$34.00, AMC427639/\$34.00, AMC427640/\$34.00, AMC427641/\$34.00, AMC427642/\$34.00, AMC427643/\$34.00, AMC427644/\$34.00, AMC427645/\$34.00, AMC427646/\$34.00, AMC427647/\$34.00, AMC427648/\$34.00, AMC427649/\$34.00		- n/a -	510.00
2	15.00	LOCATABLE MINERALS / MINING CLAIMS-NEW,UNADJUD, ONE OR MORE AUTH NOS / NEW MINING CLAIM PROCESSING FEE CASES: AMC427635/\$20.00, AMC427636/\$20.00, AMC427637/\$20.00, AMC427638/\$20.00, AMC427639/\$20.00, AMC427640/\$20.00, AMC427641/\$20.00, AMC427642/\$20.00, AMC427643/\$20.00, AMC427644/\$20.00, AMC427645/\$20.00, AMC427646/\$20.00, AMC427647/\$20.00, AMC427648/\$20.00, AMC427649/\$20.00		- n/a -	300.00
3	15.00	LOCATABLE MINERALS / MINING CLAIMS-NEW,UNADJUD, ONE OR MORE AUTH NOS / NEW MINING CLAIM MAINT FEE \$140 CASES: AMC427635/\$140.00, AMC427636/\$140.00, AMC427637/\$140.00, AMC427638/\$140.00, AMC427639/\$140.00, AMC427640/\$140.00, AMC427641/\$140.00, AMC427642/\$140.00, AMC427643/\$140.00, AMC427644/\$140.00,		- n/a -	2100.00

	AMC427645/\$140.00, AMC427646/\$140.00, AMC427647/\$140.00, AMC427648/\$140.00, AMC427649/\$140.00			
TOTAL:				\$2,910.00

PAYMENT INFORMATION			
1	AMOUNT:	2910.00	POSTMARKED: 03/19/2014
	TYPE:	CHECK	RECEIVED: 03/20/2014
	CHECK NO:	0774700673	
	NAME:	CRISTOL ENTERPRISES 870 INNISFREE DR SAINT CHARLES MO 63301-4470 US	

REMARKS

This receipt was generated by the automated BLM Collections and Billing System and is a paper representation of a portion of the official electronic record contained therein.

NOTICE!!

These documents have been scanned!

Do not place un-scanned documents beneath this notice!

Do not remove this notice from this file!

GPO Jacket No. 560-102
Print Order 61540
Rise Business Services, LLC
Job=AZ15 6/24/2019



Box Number= AZ15128



Claim Begin-End: AMC427635-AMC427649

2 Correspondence



AZ15128-13

AMC427444-AMC427733

**NO
DOCUMENTS
FOUND**

NO DOCUMENTS FOUND
NO DOCUMENTS FOUND

NOTICE!!

These documents have been scanned!

Do not place un-scanned documents beneath this notice!

Do not remove this notice from this file!

GPO Jacket No. 560-102
Print Order 61540
Rise Business Services, LLC
Job=AZ15 6/24/2019



Box Number= AZ15128



Claim Begin-End: AMC427635-AMC427649

3 Transfers



AZ15128-13

AMC427444-AMC427733

**NO
DOCUMENTS
FOUND**

NO DOCUMENTS FOUND
NO DOCUMENTS FOUND

NOTICE!!

These documents have been scanned!

Do not place un-scanned documents beneath this notice!

Do not remove this notice from this file!

GPO Jacket No. 560-102
Print Order 61540
Rise Business Services, LLC
Job=AZ15 6/24/2019



Box Number= AZ15128



Claim Begin-End: AMC427635-AMC427649

4 Annual Filings



AZ15128-13

AMC427444-AMC427733

DEPARTMENT OF THE INTERIOR
BUREAU OF LAND MANAGEMENT
MINING CLAIMS

Run Date/Time: 9/11/2018

MC Maintenance Fees Paid Through the BLM Pay Portal
(by Date Paid)

Page 397 Of 723

CBS Receipt: 4248148

Printed For Lead File # AMC427635

Agency Tracking ID: 1535491230

Assessment Year: 2019

Paid On: 8/28/2018

Number of BLM Serial Nr: 15

Total Amount Paid: \$2,325.00

Claim Name	BLM Serial No	Lead File No	Amount Paid
BERNARD 1	AMC427635	AMC427635	\$155.00
BERNARD 2	AMC427636	AMC427635	\$155.00
BERNARD 3	AMC427637	AMC427635	\$155.00
BERNARD 4	AMC427638	AMC427635	\$155.00
BERNARD 5	AMC427639	AMC427635	\$155.00
BERNARD 6	AMC427640	AMC427635	\$155.00
BERNARD 7	AMC427641	AMC427635	\$155.00
BERNARD 8	AMC427642	AMC427635	\$155.00
BERNARD 9	AMC427643	AMC427635	\$155.00
BERNARD 10	AMC427644	AMC427635	\$155.00
BERNARD 11	AMC427645	AMC427635	\$155.00
BERNARD 12	AMC427646	AMC427635	\$155.00
BERNARD 13	AMC427647	AMC427635	\$155.00
BERNARD 14	AMC427648	AMC427635	\$155.00
BERNARD 15	AMC427649	AMC427635	\$155.00

United States Department of the Interior

Bureau of Land Management
 BUSINESS & SUPPORT SVCS DIV
 ONE N CENTRAL AVE SUITE 800
 PHOENIX, AZ 85004 -4427
 Phone: 602-417-9200

Receipt

No: 4248148

Transaction #: 4363622	
Date of Transaction: 08/28/2018	
CUSTOMER:	
CHRISTINA CRISTEA 256 STILES DR WENTZVILLE,MO 63385 US	

LINE #	QTY	DESCRIPTION	REMARKS	UNIT PRICE	TOTAL
1	1.00	LOCATABLE MINERALS / MINING CLAIMS- NOT NEW-UNADJUD,ONE AUTH NO. ONLY / MINING CLAIM MONEY RECEIVED CASES: AMC427635/\$2325.00		- n/a -	2325.00
TOTAL:					\$2,325.00

PAYMENT INFORMATION			
NOTE: Items will appear on credit card statement as "BLM O Mining Claim".			
1	AMOUNT:	2325.00	POSTMARKED: N/A
	TYPE:	CREDIT CARD	RECEIVED: 08/28/2018
	NAME:	CHRISTINA CRISTEA 256 STILES DR WENTZVILLE MO 63385 US	
	CARD NO:	XXXXXXXXXXXX5543	AUTH CODE: 946676
	NAME ON CARD:	CHRISTINA CRISTEA	
	SIGNATURE:		

REMARKS

This receipt was generated by the automated BLM Collections and Billing System and is a paper representation of a portion of the official electronic record contained therein.

**DEPARTMENT OF THE INTERIOR
BUREAU OF LAND MANAGEMENT
MINING CLAIMS**

MC Maintenance Fees Paid Through the BLM Pay Portal

CBS Receipt: 3963865

Printed For Lead File # AMC427635

Agency Tracking ID: 1503933849

Assessment Year: 2018

Number of BLM Serial Nr: 15

Paid On: 08/28/2017

Total Amount Paid: \$2,325.00

Claim Name	BLM Serial No	Lead File No	Amount Paid
BERNARD 1	AMC427635	AMC427635	\$155.00
BERNARD 2	AMC427636	AMC427635	\$155.00
BERNARD 3	AMC427637	AMC427635	\$155.00
BERNARD 4	AMC427638	AMC427635	\$155.00
BERNARD 5	AMC427639	AMC427635	\$155.00
BERNARD 6	AMC427640	AMC427635	\$155.00
BERNARD 7	AMC427641	AMC427635	\$155.00
BERNARD 8	AMC427642	AMC427635	\$155.00
BERNARD 9	AMC427643	AMC427635	\$155.00
BERNARD 10	AMC427644	AMC427635	\$155.00
BERNARD 11	AMC427645	AMC427635	\$155.00
BERNARD 12	AMC427646	AMC427635	\$155.00
BERNARD 13	AMC427647	AMC427635	\$155.00
BERNARD 14	AMC427648	AMC427635	\$155.00
BERNARD 15	AMC427649	AMC427635	\$155.00

United States Department of the Interior
Bureau of Land Management
 BUSINESS & SUPPORT SVCS DIV
 ONE N CENTRAL AVE SUITE 800
 PHOENIX, AZ 85004 -4427
 Phone: 602-417-9200

Receipt

No: 3963865

Transaction #: 4073738	
Date of Transaction: 08/28/2017	
CUSTOMER:	
RELLO L CRISTEA 256 STILES DR WENTZVILLE, MO 63385 US	

LINE #	QTY	DESCRIPTION	REMARKS	UNIT PRICE	TOTAL
1	1.00	LOCATABLE MINERALS / MINING CLAIMS- NOT NEW-UNADJUD, ONE AUTH NO. ONLY / MINING CLAIM MONEY RECEIVED CASES: AMC427643/\$2325.00		- n/a -	2325.00
TOTAL:					\$2,325.00

PAYMENT INFORMATION			
NOTE: Items will appear on credit card statement as "BLM O Mining Claim".			
1	AMOUNT:	2325.00	POSTMARKED: N/A
	TYPE:	CREDIT CARD	RECEIVED: 08/28/2017
	NAME:	RELLO L CRISTEA 256 STILES DR WENTZVILLE MO 63385 US	
	CARD NO:	XXXXXXXXXXXX9618	AUTH CODE: 49699D
	NAME ON CARD:	RELLO L CRISTEA	
	EXPIRES:	05/2020	
	SIGNATURE:		

REMARKS

This receipt was generated by the automated BLM Collections and Billing System and is a paper representation of a portion of the official electronic record contained therein.

Run Date: 08/25/16

Run Time: 05:50 AM

**DEPARTMENT OF THE INTERIOR
BUREAU OF LAND MANAGEMENT
MINING CLAIMS**

MC Maintenance Fees Paid Through the BLM Pay Portal

CBS Receipt: 3623989

Printed For Lead File # **AMC427635**

Agency Tracking ID: 1470672550

Assessment Year: 2017

Number of BLM Serial Nr: 15

Paid On: 08/08/2016

Total Amount Paid: \$2,325.00

Claim Name	BLM Serial No	Lead File No	Amount Paid
BERNARD 1	AMC427635	AMC427635	\$155.00
BERNARD 2	AMC427636	AMC427635	\$155.00
BERNARD 3	AMC427637	AMC427635	\$155.00
BERNARD 4	AMC427638	AMC427635	\$155.00
BERNARD 5	AMC427639	AMC427635	\$155.00
BERNARD 6	AMC427640	AMC427635	\$155.00
BERNARD 7	AMC427641	AMC427635	\$155.00
BERNARD 8	AMC427642	AMC427635	\$155.00
BERNARD 9	AMC427643	AMC427635	\$155.00
BERNARD 10	AMC427644	AMC427635	\$155.00
BERNARD 11	AMC427645	AMC427635	\$155.00
BERNARD 12	AMC427646	AMC427635	\$155.00
BERNARD 13	AMC427647	AMC427635	\$155.00
BERNARD 14	AMC427648	AMC427635	\$155.00
BERNARD 15	AMC427649	AMC427635	\$155.00

NO WARRANTY IS MADE BY BLM FOR USE OF THE DATA FOR PURPOSES NOT INTENDED BY BLM

United States Department of the Interior
Bureau of Land Management
 BUSINESS & SUPPORT SVCS DIV
 ONE N CENTRAL AVE SUITE 800
 PHOENIX, AZ 85004 -4427
 Phone: (602) 417-9200

Receipt

No: 3623989

Transaction #: 3727729	
Date of Transaction: 08/08/2016	
CUSTOMER:	
	RELLO CRISTEA 8943 CARILLON ESTATES WAY FORT MYERS, FL 33912 US

LINE #	QTY	DESCRIPTION	REMARKS	UNIT PRICE	TOTAL
1	1.00	LOCATABLE MINERALS / MINING CLAIMS- NOT NEW-UNADJUD, ONE AUTH NO. ONLY / MINING CLAIM MONEY RECEIVED CASES: AMC427643/\$2325.00		- n/a -	2325.00
TOTAL:					\$2,325.00

PAYMENT INFORMATION			
NOTE: Items will appear on credit card statement as "BLM O Mining Claim".			
1	AMOUNT:	2325.00	POSTMARKED: N/A
	TYPE:	CREDIT CARD	RECEIVED: 08/08/2016
	NAME:	RELLO CRISTEA 8943 CARILLON ESTATES WAY FORT MYERS FL 33912 US	
	CARD NO:	XXXXXXXXXXXX1004	AUTH CODE: 141875
	NAME ON CARD:	RELLO CRISTEA	
	EXPIRES:	12/2020	
	SIGNATURE:		

REMARKS

This receipt was generated by the automated BLM Collections and Billing System and is a paper representation of a portion of the official electronic record contained therein.

Run Date: 08/27/15

Run Time: 08:15 AM

**DEPARTMENT OF THE INTERIOR
BUREAU OF LAND MANAGEMENT
MINING CLAIMS**

MC Maintenance Fees Paid Through the BLM Pay Portal

CBS Receipt: 3372773

Printed For Lead File # AMC427635

Agency Tracking ID: 1440107885

Assessment Year: 2016

Number of BLM Serial Nr: 7

Paid On: 08/20/2015

Total Amount Paid: \$1,085.00

Claim Name	BLM Serial No	Lead File No	Amount Paid
BERNARD 1	AMC427635	AMC427635	\$155.00
BERNARD 10	AMC427644	AMC427635	\$155.00
BERNARD 11	AMC427645	AMC427635	\$155.00
BERNARD 12	AMC427646	AMC427635	\$155.00
BERNARD 13	AMC427647	AMC427635	\$155.00
BERNARD 14	AMC427648	AMC427635	\$155.00
BERNARD 15	AMC427649	AMC427635	\$155.00

United States Department of the Interior
Bureau of Land Management
 BUSINESS & SUPPORT SVCS DIV
 ONE N CENTRAL AVE SUITE 800
 PHOENIX, AZ 85004 -4427
 Phone: (602) 417-9200

Receipt

No: 3372773

Transaction #: 3470971	
Date of Transaction: 08/20/2015	
CUSTOMER:	
RELLO CRISTEA 8943 CARILLON ESTATES WAY FORT MYERS,FL 33912 US	

LINE #	QTY	DESCRIPTION	REMARKS	UNIT PRICE	TOTAL
1	1.00	LOCATABLE MINERALS / MINING CLAIMS- NOT NEW-UNADJUD,ONE AUTH NO. ONLY / MINING CLAIM MONEY RECEIVED CASES: AMC427646/\$1085.00		- n/a -	1085.00
TOTAL:					\$1,085.00

PAYMENT INFORMATION			
NOTE: Items will appear on credit card statement as "BLM O Mining Claim".			
1	AMOUNT:	1085.00	POSTMARKED: N/A
	TYPE:	CREDIT CARD	RECEIVED: 08/20/2015
	NAME:	RELLO CRISTEA 8943 CARILLON ESTATES WAY FORT MYERS FL 33912 US	
	CARD NO:	XXXXXXXXXXXX7975	AUTH CODE: 15869B
	NAME ON CARD:	RELLO CRISTEA	
	EXPIRES:	07/2019	
	SIGNATURE:		

REMARKS

This receipt was generated by the automated BLM Collections and Billing System and is a paper representation of a portion of the official electronic record contained therein.

Run Date: 08/27/15

Run Time: 08:15 AM

**DEPARTMENT OF THE INTERIOR
BUREAU OF LAND MANAGEMENT
MINING CLAIMS**

MC Maintenance Fees Paid Through the BLM Pay Portal

CBS Receipt: 3372774

Printed For Lead File # **AMC427635**

Agency Tracking ID: 1440108083

Assessment Year: 2016

Number of BLM Serial Nr: 8

Paid On: 08/20/2015

Total Amount Paid: \$1,240.00

Claim Name	BLM Serial No	Lead File No	Amount Paid
BERNARD 2	AMC427636	AMC427635	\$155.00
BERNARD 3	AMC427637	AMC427635	\$155.00
BERNARD 4	AMC427638	AMC427635	\$155.00
BERNARD 5	AMC427639	AMC427635	\$155.00
BERNARD 6	AMC427640	AMC427635	\$155.00
BERNARD 7	AMC427641	AMC427635	\$155.00
BERNARD 8	AMC427642	AMC427635	\$155.00
BERNARD 9	AMC427643	AMC427635	\$155.00

United States Department of the Interior
Bureau of Land Management
 BUSINESS & SUPPORT SVCS DIV
 ONE N CENTRAL AVE SUITE 800
 PHOENIX, AZ 85004 -4427
 Phone: (602) 417-9200

Receipt

No: 3372774

Transaction #: 3470972	
Date of Transaction: 08/20/2015	
CUSTOMER:	
RELLO L. CRISTEA 8943 CARILLON ESTATES WAY FORT MYERS,FL 33912 US	

LINE #	QTY	DESCRIPTION	REMARKS	UNIT PRICE	TOTAL
1	1.00	LOCATABLE MINERALS / MINING CLAIMS- NOT NEW-UNADJUD,ONE AUTH NO. ONLY / MINING CLAIM MONEY RECEIVED CASES: AMC427640/\$1240.00		- n/a -	1240.00
TOTAL:					\$1,240.00

PAYMENT INFORMATION			
NOTE: Items will appear on credit card statement as "BLM O Mining Claim".			
1	AMOUNT:	1240.00	POSTMARKED: N/A
	TYPE:	CREDIT CARD	RECEIVED: 08/20/2015
	NAME:	RELLO L. CRISTEA 8943 CARILLON ESTATES WAY FORT MYERS FL 33912 US	
	CARD NO:	XXXXXXXXXXXX7975	AUTH CODE: 74399B
	NAME ON CARD:	RELLO L. CRISTEA	
	EXPIRES:	07/2019	
	SIGNATURE:		

REMARKS

This receipt was generated by the automated BLM Collections and Billing System and is a paper representation of a portion of the official electronic record contained therein.

427635

UNITED STATES
DEPARTMENT OF THE INTERIOR
BUREAU OF LAND MANAGEMENT
**MAINTENANCE FEE PAYMENT FORM FOR
LODE CLAIMS, MILL SITES, AND TUNNEL SITES**

Remitter Name: Cristol Enterprises LLC
Mailing Address: 870 Tanistree Dr.
City, State, Zip: St. Charles MO 63301

Check here if this is a change of address.

FOR COUNTY RECORDER'S USE

No. of claims/sites 15
x \$155 per claim/site
Total due BLM \$ 2325.00

- The maintenance fee may be paid by cash, check, money order, Bureau of Land Management (BLM) Declining Deposit Account, or credit card (VISA, American Express, Discover, or MasterCard). Payments must be remitted to the BLM State Office where your claim or site is recorded and received on or before September 1. If the payment is mailed, the envelope must be postmarked by a bona fide delivery service on or before September 1 and received at the proper BLM State Office within 15 calendar days after the due date. Payments may also be made by telephone using a credit card. A complete listing of BLM State Offices with their addresses and phone numbers can be found at <http://www.blm.gov>.
- The maintenance fee for the following claim(s)/site(s) applies to the assessment year 2015.

CLAIM/SITE NAME	BLM SERIAL NO.
Bernard 1	AMC 427635
Bernard 2	AMC 427636
Bernard 3	AMC 427637
Bernard 4	AMC 427638
Bernard 5	AMC 427639
Bernard 6	AMC 427640
Bernard 7	AMC 427641
Bernard 8	AMC 427642
Bernard 9	AMC 427643
Bernard 10	AMC 427644

Use a separate sheet for additional claim/site names, serial numbers, and claimant names and addresses.

(Continued on page 2)

ENTERED
SEP 10 2014
BY: RAM

(See separate sheet for additional claims)

RECEIPT # 3123628

TIMELY FILED

RECEIVED
BLM STATE OFFICE
ARIZONA
SEP 10 2 47 PM '14

Bernard	11	AMC 427645
Bernard	12	AMC 427646
Bernard	13	AMC 427647
Bernard	14	AMC 427648
Bernard	15	AMC 427649

TIMELY FILED
RECEIVED
BLM AZ STATE OFFICE
2014 SEP -4 P 2:47
PHOENIX, ARIZONA

Run Time: 08:33 AM

UNITED STATES DEPARTMENT OF THE INTERIOR
BUREAU OF LAND MANAGEMENT
MINING CLAIM GEOGRAPHIC REPORT
LIST OF MINING CLAIMS BY SECTION

Run Date: 08/27/2014
Page 1 of 1

<u>Serial Num</u>	<u>Mer Twn Rng Sec Quad</u>	<u>Claim Name/Number</u>	<u>Claimant(s)</u>	<u>Lead File</u>	<u>Case</u>			
					<u>Type</u>	<u>Status</u>	<u>Loc Dt</u>	<u>Last Assmt</u>
AMC427635	14 0100N 0130W 019 NW	BERNARD 1	CRISTOL ENTERPRISES LLC	AMC427635	384101	ACTIVE	02/13/2014	2 0 1 4
AMC427636	14 0100N 0130W 019 NW	BERNARD 2	CRISTOL ENTERPRISES LLC	AMC427635	384101	ACTIVE	02/13/2014	2 0 1 4
AMC427637	14 0100N 0130W 019 NW	BERNARD 3	CRISTOL ENTERPRISES LLC	AMC427635	384101	ACTIVE	02/13/2014	2 0 1 4
AMC427638	14 0100N 0130W 019 NW,SW	BERNARD 4	CRISTOL ENTERPRISES LLC	AMC427635	384101	ACTIVE	02/13/2014	2 0 1 4
AMC427639	14 0100N 0130W 019 SW	BERNARD 5	CRISTOL ENTERPRISES LLC	AMC427635	384101	ACTIVE	02/13/2014	2 0 1 4
AMC427640	14 0100N 0130W 019 NW	BERNARD 6	CRISTOL ENTERPRISES LLC	AMC427635	384101	ACTIVE	02/13/2014	2 0 1 4
AMC427641	14 0100N 0130W 019 NW	BERNARD 7	CRISTOL ENTERPRISES LLC	AMC427635	384101	ACTIVE	02/13/2014	2 0 1 4
AMC427642	14 0100N 0130W 019 NW	BERNARD 8	CRISTOL ENTERPRISES LLC	AMC427635	384101	ACTIVE	02/13/2014	2 0 1 4
AMC427643	14 0100N 0130W 019 NW,SW	BERNARD 9	CRISTOL ENTERPRISES LLC	AMC427635	384101	ACTIVE	02/13/2014	2 0 1 4
AMC427644	14 0100N 0130W 019 SW	BERNARD 10	CRISTOL ENTERPRISES LLC	AMC427635	384101	ACTIVE	02/13/2014	2 0 1 4
AMC427645	14 0100N 0130W 019 NE,NW	BERNARD 11	CRISTOL ENTERPRISES LLC	AMC427635	384101	ACTIVE	02/13/2014	2 0 1 4
AMC427646	14 0100N 0130W 019 NE,NW	BERNARD 12	CRISTOL ENTERPRISES LLC	AMC427635	384101	ACTIVE	02/13/2014	2 0 1 4
AMC427647	14 0100N 0130W 019 NE,NW	BERNARD 13	CRISTOL ENTERPRISES LLC	AMC427635	384101	ACTIVE	02/13/2014	2 0 1 4
AMC427648	14 0100N 0130W 019 NE,NW,SW,SE	BERNARD 14	CRISTOL ENTERPRISES LLC	AMC427635	384101	ACTIVE	02/13/2014	2 0 1 4
AMC427649	14 0100N 0130W 019 SW,SE	BERNARD 15	CRISTOL ENTERPRISES LLC	AMC427635	384101	ACTIVE	02/13/2014	2 0 1 4

PHOENIX, ARIZONA
2014 SEP - 4 P 2: 47
RECEIVED
BLM AZ STATE OFFICE
TIMELY FILED

NO WARRANTY IS MADE BY BLM
FOR USE OF THE DATA FOR
PURPOSES NOT INTENDED BY BLM

United States Department of the Interior
 Bureau of Land Management
 LANDS/RECREATION & PLANNING
 ONE N CENTRAL AVE
 PHOENIX, AZ 85004 -2203
 Phone: 602-417-9200



Receipt

No: 3123628

Transaction #: 3215519	
Date of Transaction: 09/05/2014	
CUSTOMER:	
CRISTOL ENTERPRISES LLC 870 INNISFREE DR SAINT CHARLES,MO 63301-4470 US	

LINE #	QTY	DESCRIPTION	REMARKS	UNIT PRICE	TOTAL
1	1.00	LOCATABLE MINERALS / MINING CLAIMS-NOT NEW-UNADJUD,ONE AUTH NO. ONLY / MINING CLAIM MONEY RECEIVED CASES: AMC427635/\$2325.00	MAINT FEE PYMNT (15) 2015	- n/a -	2325.00
TOTAL:					\$2,325.00


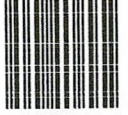
PAYMENT INFORMATION					
1	AMOUNT:	2325.00	POSTMARKED:	09/02/2014	
	TYPE:	CHECK	RECEIVED:	09/04/2014	
	CHECK NO:	2262			
	NAME:	TOLLE, DAVID C 256 STILES DR WENTZVILLE MO 63385 US			

REMARKS

This receipt was generated by the automated BLM Collections and Billing System and is a paper representation of a portion of the official electronic record contained therein.

FROM:

Cristol Enterprises LLC
870 Innisfree Dr.
St. Charles MO 63301

U.S. POSTAGE
PAID
WENTZVILLE, MO
63385
SEP 02, 14
AMOUNT
\$2.50
00067909-06

1000 85004

TO:

Bureau of Land Management
Arizona State Office
One North Central Ave.
Suite 800
Phoenix, AZ. 85004-4427



UNITED STATES
POSTAL SERVICE®

USPS TRACKING #



9114 9012 3080 1467 4511 14

Label 460, Jan. 2013
7500-10-000-7048

PHOENIX, ARIZONA
2014 SEP -4 P 2:47
RECEIVED
BLM AZ STATE OFFICE

Photo Document Mailer
9 3/4" x 12 1/4"

Ready **P**ost.

NOTICE!!

These documents have been scanned!

Do not place un-scanned documents beneath this notice!

Do not remove this notice from this file!

GPO Jacket No. 560-102
Print Order 61540
Rise Business Services, LLC
Job=AZ15 6/24/2019



Box Number= AZ15128



Claim Begin-End: AMC427635-AMC427649

5 Miscellaneous



AZ15128-13

AMC427444-AMC427733

**NO
DOCUMENTS
FOUND**

NO DOCUMENTS FOUND
NO DOCUMENTS FOUND

NOTICE!!

These documents have been scanned!

Do not place un-scanned documents beneath this notice!

Do not remove this notice from this file!

GPO Jacket No. 560-102
Print Order 61540
Rise Business Services, LLC
Job=AZ15 6/24/2019



Box Number= AZ15128



Claim Begin-End: AMC427635-AMC427649

6 Location Notices-Amendments and Supporting Documents



AZ15128-13

AMC427444-AMC427733

MINING CLAIM STATUS REPORT

Data Entered: 4/2/14 AM

MTP Checked By: PM
GEO Checked By: AM

LEAD SERIAL NUMBER: AMC 427635 thru AMC 427649

NUMBER OF CLAIMS & TYPE:

15 LODE
PLACER
ASSOCIATION PLACER
MILL SITE
TUNNEL SITE

CHARGES:

Location Fee @ \$34 = \$ 510.00
Processing Fee @ \$20 = \$ 300.00
Maintenance Fee @ \$140 = \$ 2100.00
Add'l Maint Fee for Assoc Placer = \$
SUBTOTAL \$
Other Fees \$
Other Fees \$
TOTAL \$ 2910.00

TOTAL ACREAGE: _____ Per Claim
(Placer Only)

NUMBER OF LOCATORS: _____

DOCUMENTS RECEIVED VIA : Over-the-Counter [] Mail [] **TIMELY FILED:** Yes [] No []

LEGAL DESCRIPTION: T 10N R 13W SEC 19
T 10N R 14W SEC 24
T _____ R _____ SEC _____
T _____ R _____ SEC _____
T _____ R _____ SEC _____

BLM [] FOREST SERVICE [] _____ SUBJ TO PL 359: Yes [] No []
WILDERNESS AREA [] _____

SPLIT ESTATE: N/A [] SX [] PX [] OTHER [] _____
SRHA [] Was proper Notice filed if located on SHRA Land? Yes [] No []

RECONVEYED MINERALS ON BLM LAND REQUIRE OPENING ORDER FROM 1944 TO 1993:
Open to Entry On _____ N/A []

COMMENTS/STATUS: VOID [] PARTIALLY VOID [] PVT MINERALS [] WITHDRAWN LANDS []
OTHER [] _____

[] Claimant acknowledges that portions of the following claim(s) site(s) may be void or voidable.

Printed Name of Claimant _____ Signature of Claimant _____

*****FINAL ADJUDICATION*****

DATE 8/13/14 INITIALS AT

AMC 427635

When recorded return

Cristol Enterprises LLC
870 Innisfree Drive
St. Charles, MO 63301

LOCATION NOTICE FOR MINING CLAIM

NOTICE IS HEREBY GIVEN that **BERNARD 1**

lode mining claim has been located by
Cristol Enterprises LLC whose current mailing address
is 870 Innisfree Dr.
St. Charles, MO 63301

BLM
DATE
STAMP

RECORDED
MAR 20 4 11 12

The general course of this claim is east/west and it is situated in La Paz County, Arizona. This claim is 1500 feet in length and 600 feet in width. This claim runs from the location monument on which this location notice is posted approximately 1480 feet in a easterly direction to the east end line and 20 feet in a westerly direction to the west end line. This claim is marked by six monuments, one at each corner and one at the center of each end line of the claim.

The location monument on which this notice is posted is situated within Section 24, Township 0100 North, Range 0140 West, Gila Salt River Base and Meridian, Arizona, and this claim encompasses portions of the following quarter section (s), section (s), Township (s), and Range (s) NE ¼ Section 24, Township 0100 North, Range 0140 West and NW ¼ Section 19, Township 0100 North, Range 0130 West, Gila Salt River Base and Meridian, La Paz County, Arizona.

AMC 427635

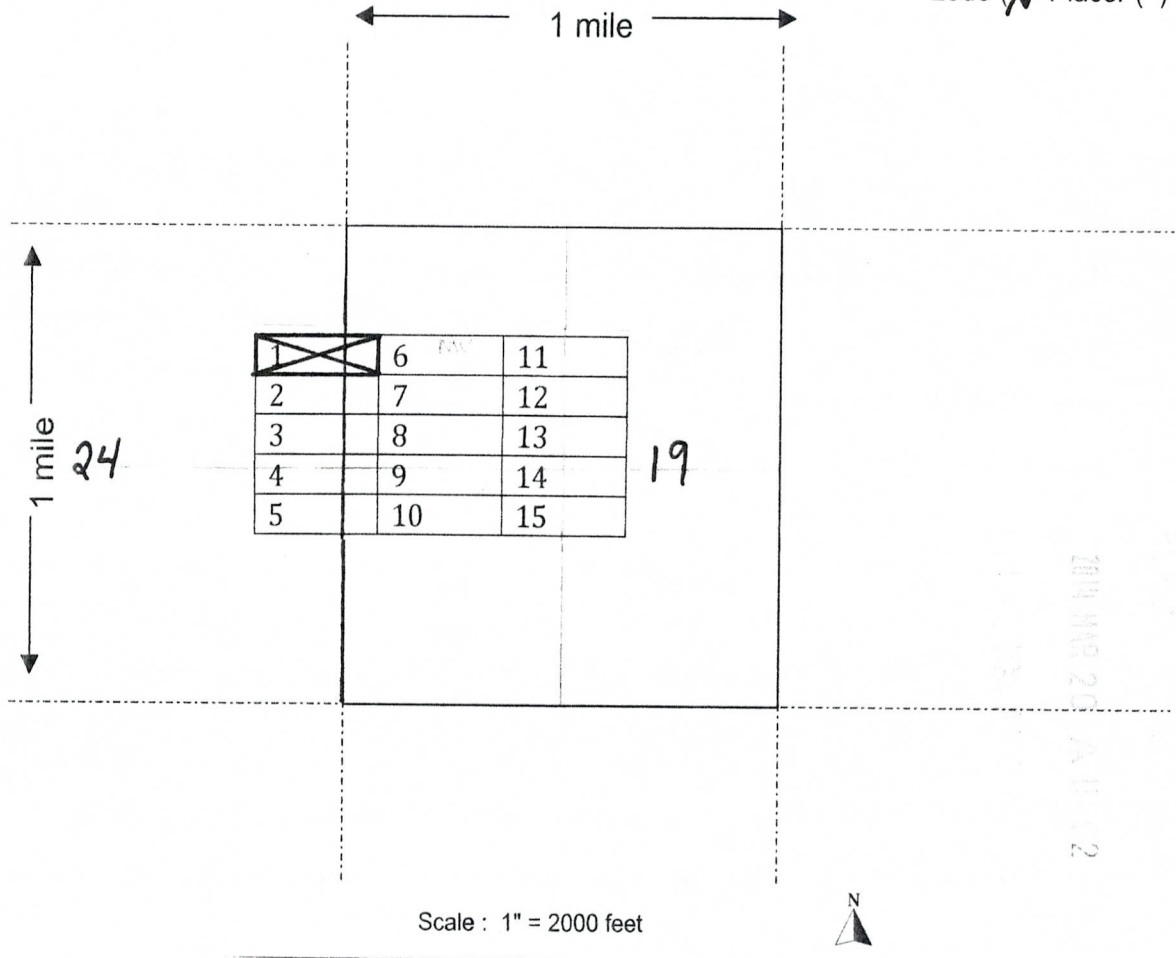
The locality of this claim with reference to some natural object or permanent monument and additional information (if any) concerning its locality are as follows: Begin at the SE corner (brass cap in place), Section 31, T.10 N., R.13 W., Gila & Salt River Meridian, bear 15,600 feet North then bear 4500 feet West to the Northeast corner of this claim.

DATED AND POSTED on the ground this 13 day of February, 2014.

LOCATOR (s) Cristol Enterprises LLC Doris E. Telle

MINING CLAIM MAP

Lode  Placer ()



1. The above map depicts the **BERNARD 1** mining claim, which is located in Section (s) 24 & 19, Township 0100 North, Range 0140 West, and Township 0100 North, Range 0130 West, La Paz County, Arizona.

2. The type of corner and location monuments used are as follows: Flagged wooden (2"x2"x5') posts with properly inscribed metal tags to indicate the intended location.

3. The bearings and distances in degrees and feet between claim corners are as depicted on the map.

AMC4216351

When recorded return to _____

Cristol Enterprises LLC
870 Innisfree Drive
St. Charles, MO 63301

LOCATION NOTICE FOR MINING CLAIM

NOTICE IS HEREBY GIVEN that **BERNARD 2** lode mining claim has been located by Cristol Enterprises LLC whose current mailing address is 870 Innisfree Dr.
St. Charles, MO 63301

BLM
DATE
STAMP
FEB 20 4 11 PM '14

The general course of this claim is east/west and it is situated in La Paz County, Arizona. This claim is 1500 feet in length and 600 feet in width. This claim runs from the location monument on which this location notice is posted approximately 1480 feet in a easterly direction to the east end line and 20 feet in a westerly direction to the west end line. This claim is marked by six monuments, one at each corner and one at the center of each end line of the claim.

The location monument on which this notice is posted is situated within Section 24, Township 0100 North, Range 0140 West, Gila Salt River Base and Meridian, Arizona, and this claim encompasses portions of the following quarter section (s), section (s), Township (s), and Range (s) NE ¼ Section 24, Township 0100 North, Range 0140 West and NW ¼ Section 19, Township 0100 North, Range 0130 West, Gila Salt River Base and Meridian, La Paz County, Arizona.

The locality of this claim with reference to some natural object or permanent monument and additional information (if any) concerning its locality are as follows: Begin at the SE corner (brass cap in place), Section 31, T.10 N., R.13 W., Gila & Salt River Meridian, bear 15,000 feet North then bear 4500 feet West to the Northeast corner of this claim.

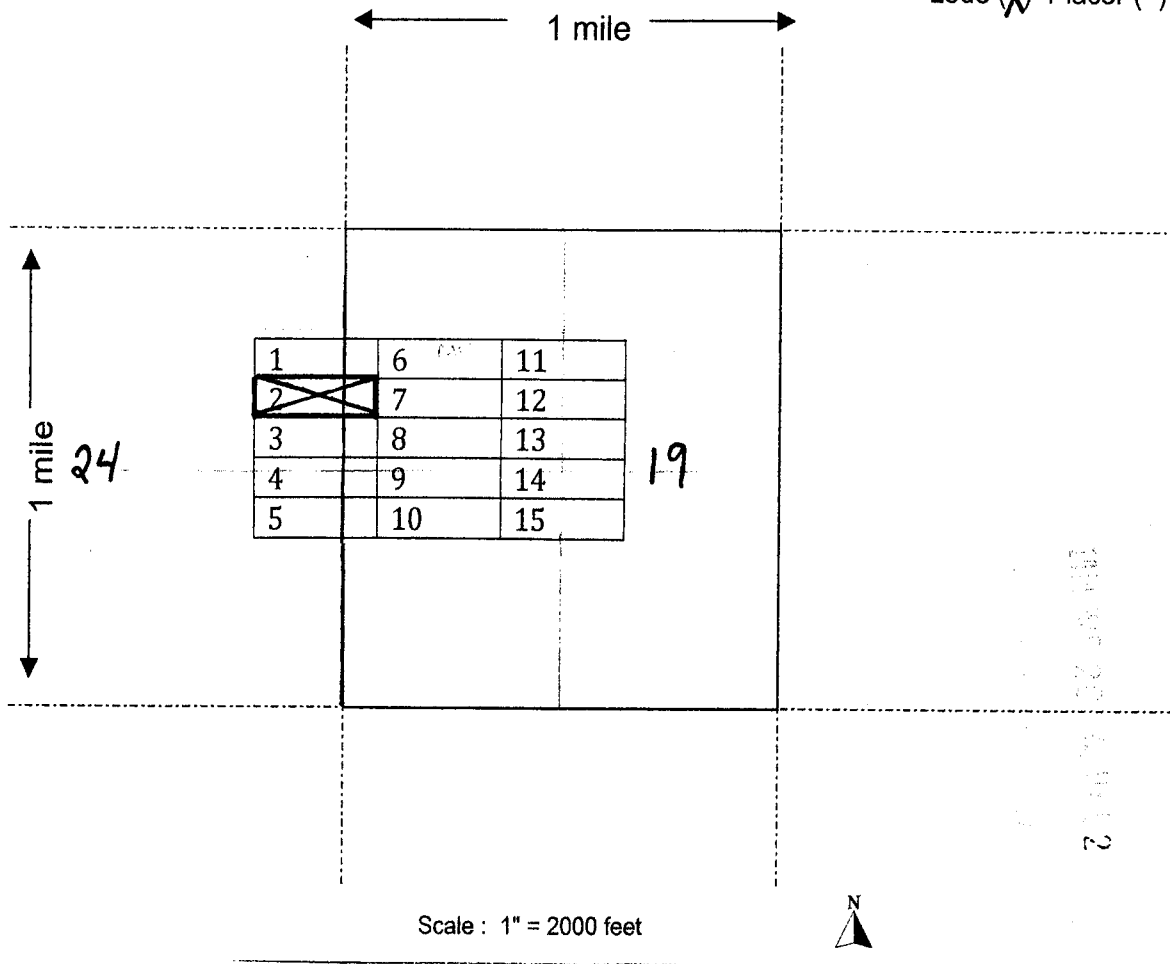
AMC 427636

DATED AND POSTED on the ground this 13 day of February, 20 14.

LOCATOR (s) Cristol Enterprises LLC [Signature]

MINING CLAIM MAP

Lode (X) Placer ()



1. The above map depicts the **BERNARD 2** mining claim, which is located in Section (s) 24 & 19, Township 0100 North, Range 0140 West, and Township 0100 North, Range 0130 West, La Paz County, Arizona.

2. The type of corner and location monuments used are as follows: Flagged wooden (2"x2"x5") posts with properly inscribed metal tags to indicate the intended location.

3. The bearings and distances in degrees and feet between claim corners are as depicted on the map.

AN0427656

When recorded return

Cristol Enterprises LLC
870 Innisfree Drive
St. Charles, MO 63301

LOCATION NOTICE FOR MINING CLAIM

NOTICE IS HEREBY GIVEN that **BERNARD 3** lode mining claim has been located by Cristol Enterprises LLC whose current mailing address is 870 Innisfree Dr.
St. Charles, MO 63301

BLM
DATE
STAMP
2014 MAR 20 AM 11:11

The general course of this claim is east/west and it is situated in La Paz County, Arizona. This claim is 1500 feet in length and 600 feet in width. This claim runs from the location monument on which this location notice is posted approximately 1480 feet in a easterly direction to the east end line and 20 feet in a westerly direction to the west end line. This claim is marked by six monuments, one at each corner and one at the center of each end line of the claim.

The location monument on which this notice is posted is situated within Section 24, Township 0100 North, Range 0140 West, Gila Salt River Base and Meridian, Arizona, and this claim encompasses portions of the following quarter section (s), section (s), Township (s), and Range (s) NE ¼ Section 24, Township 0100 North, Range 0140 West and NW ¼ Section 19, Township 0100 North, Range 0130 West, Gila Salt River Base and Meridian, La Paz County, Arizona.

AMC4216371

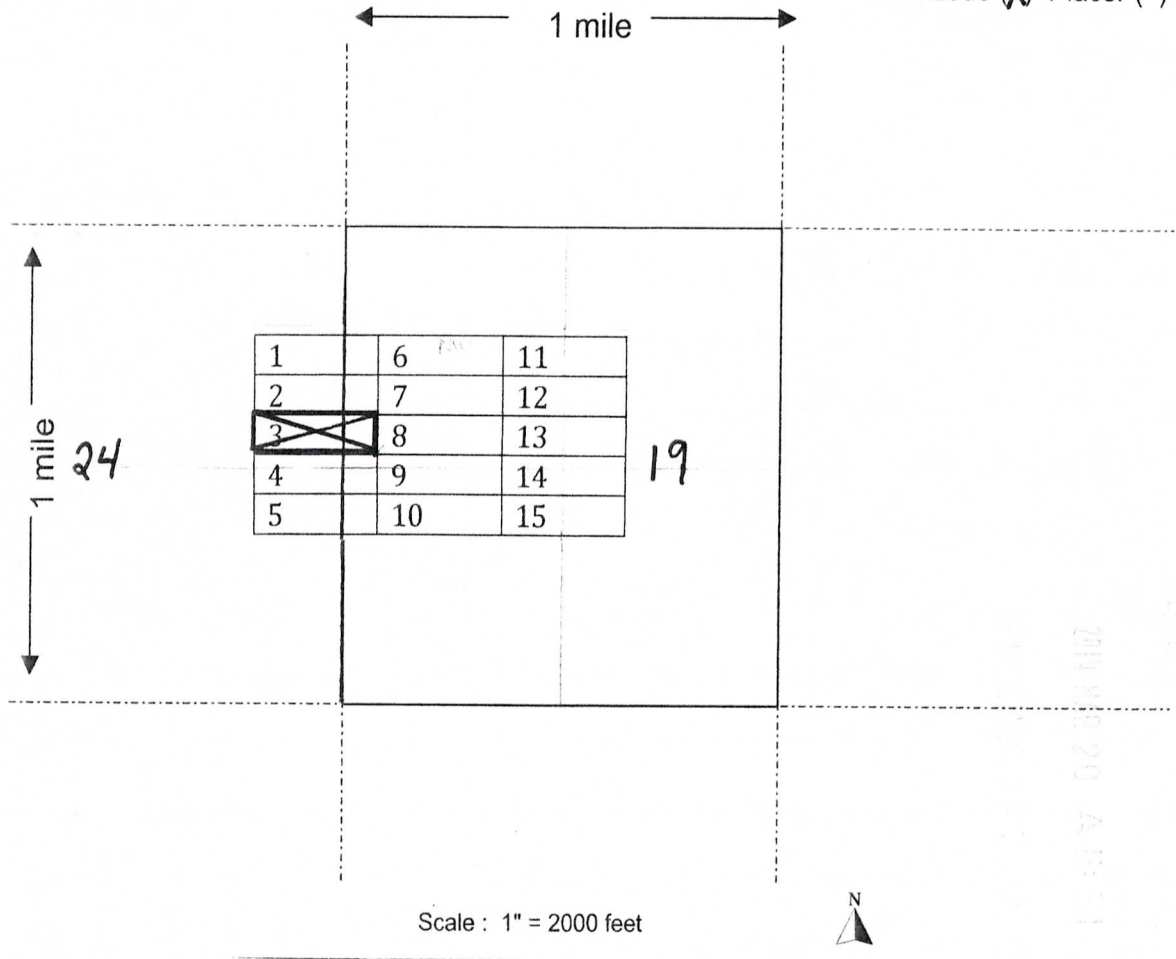
The locality of this claim with reference to some natural object or permanent monument and additional information (if any) concerning its locality are as follows: Begin at the SE corner (brass cap in place), Section 31, T.10 N., R.13 W., Gila & Salt River Meridian, bear 14,400 feet North then bear 4500 feet West to the Northeast corner of this claim.

DATED AND POSTED on the ground this 13 day of February, 2014.

LOCATOR (s) Cristol Enterprises LLC D. J. T. D.

MINING CLAIM MAP

Lode (X) Placer ()



AM04276371

1. The above map depicts the **BERNARD 3** mining claim, which is located in Section (s) 24 & 19, Township 0100 North, Range 0140 West, and Township 0100 North, Range 0130 West, La Paz County, Arizona.
2. The type of corner and location monuments used are as follows: Flagged wooden (2"x2"x5') posts with properly inscribed metal tags to indicate the intended location.
3. The bearings and distances in degrees and feet between claim corners are as depicted on the map.

When recorded return

Cristol Enterprises LLC
870 Innisfree Drive
St. Charles, MO 63301

LOCATION NOTICE FOR MINING CLAIM

NOTICE IS HEREBY GIVEN that **BERNARD 4**

lode mining claim has been located by

Cristol Enterprises LLC whose current mailing address

is 870 Innisfree Dr.

St. Charles, MO 63301

BLM
DATE
STAMP

2014 FEB 13 11:51 AM
BLM
ARIZONA

The general course of this claim is east/west and it is situated in La Paz County, Arizona. This claim is 1500 feet in length and 600 feet in width. This claim runs from the location monument on which this location notice is posted approximately 1480 feet in a easterly direction to the east end line and 20 feet in a westerly direction to the west end line. This claim is marked by six monuments, one at each corner and one at the center of each end line of the claim.

The location monument on which this notice is posted is situated within Section 24, Township 0100 North, Range 0140 West, Gila Salt River Base and Meridian, Arizona, and this claim encompasses portions of the following quarter section (s), section (s), Township (s), and Range (s) NE ¼ Section 24, Township 0100 North, Range 0140 West and NW ¼ Section 19, Township 0100 North, Range 0130 West, SE ¼ Section 24, Township 0100 North, Range 0140 West and SW ¼ Section 19, Township 0100 North, Range 0130 West, Gila Salt River Base and Meridian, La Paz County, Arizona.

AMC 427638

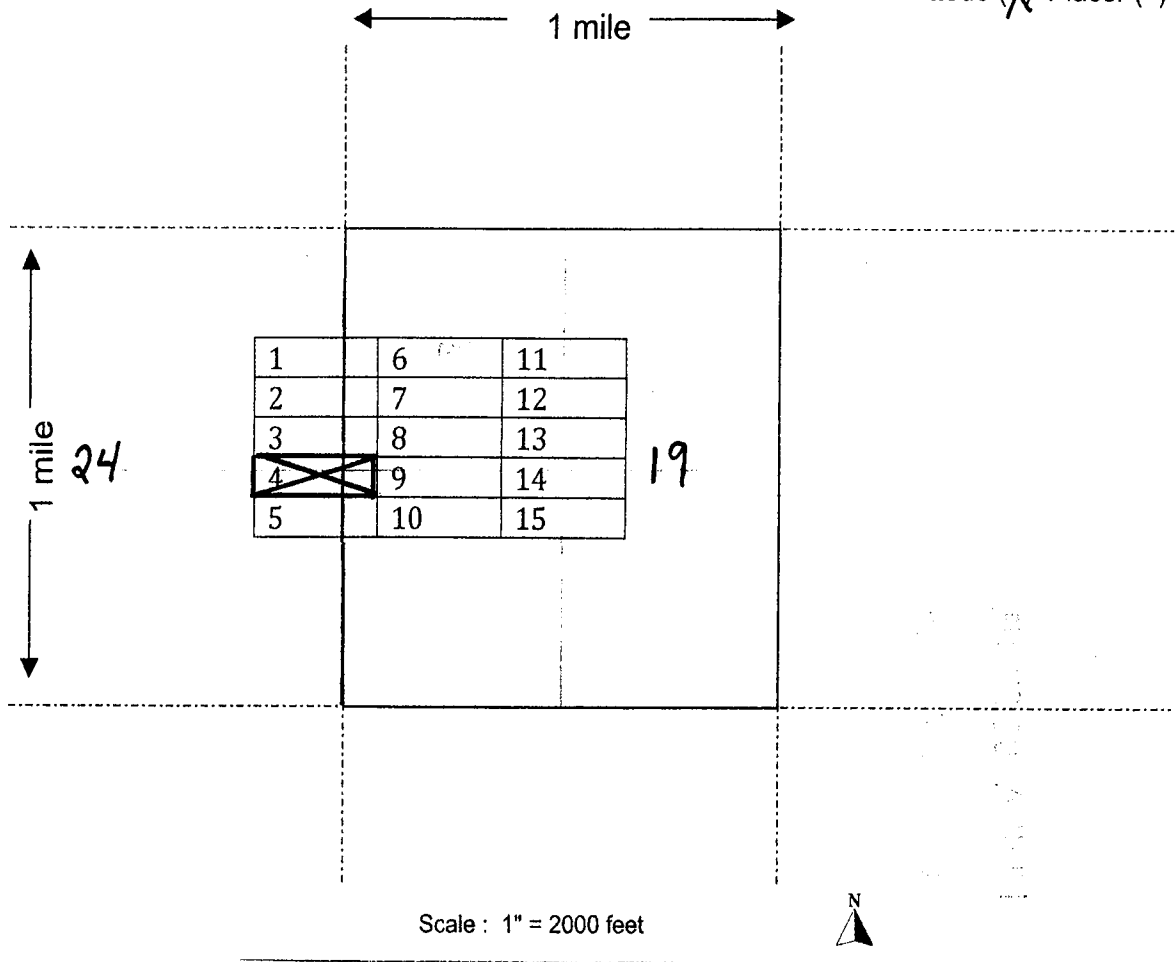
The locality of this claim with reference to some natural object or permanent monument and additional information (if any) concerning its locality are as follows: Begin at the SE corner (brass cap in place), Section 31, T.10 N., R.13 W., Gila & Salt River Meridian, bear 13,800 feet North then bear 4500 feet West to the Northeast corner of this claim.

DATED AND POSTED on the ground this 13 day of February, 20 14.

LOCATOR (s) Cristol Enterprises LLC D. J. C. Tall

MINING CLAIM MAP

Lode (X) Placer ()



AMC 421638

1. The above map depicts the **BERNARD 4** mining claim, which is located in Section (s) 24 & 19, Township 0100 North, Range 0140 West, and Township 0100 North, Range 0130 West, La Paz County, Arizona.
2. The type of corner and location monuments used are as follows: Flagged wooden (2"x2"x5') posts with properly inscribed metal tags to indicate the intended location.
3. The bearings and distances in degrees and feet between claim corners are as depicted on the map.

When recorded return to _____
Cristol Enterprises LLC
870 Innisfree Drive
St. Charles, MO 63301

LOCATION NOTICE FOR MINING CLAIM

NOTICE IS HEREBY GIVEN that **BERNARD 5**
lode mining claim has been located by
Cristol Enterprises LLC whose current mailing address
is 870 Innisfree Dr.
St. Charles, MO 63301

BLM
DATE
STAMP

The general course of this claim is east/west and it is situated in La Paz County, Arizona. This claim is 1500 feet in length and 600 feet in width. This claim runs from the location monument on which this location notice is posted approximately 1480 feet in a easterly direction to the east end line and 20 feet in a westerly direction to the west end line. This claim is marked by six monuments, one at each corner and one at the center of each end line of the claim.

The location monument on which this notice is posted is situated within Section 24, Township 0100 North, Range 0140 West, Gila Salt River Base and Meridian, Arizona, and this claim encompasses portions of the following quarter section (s), section (s), Township (s), and Range (s) SE ¼ Section 24, Township 0100 North, Range 0140 West and SW ¼ Section 19, Township 0100 North, Range 0130 West, Gila Salt River Base and Meridian, La Paz County, Arizona.

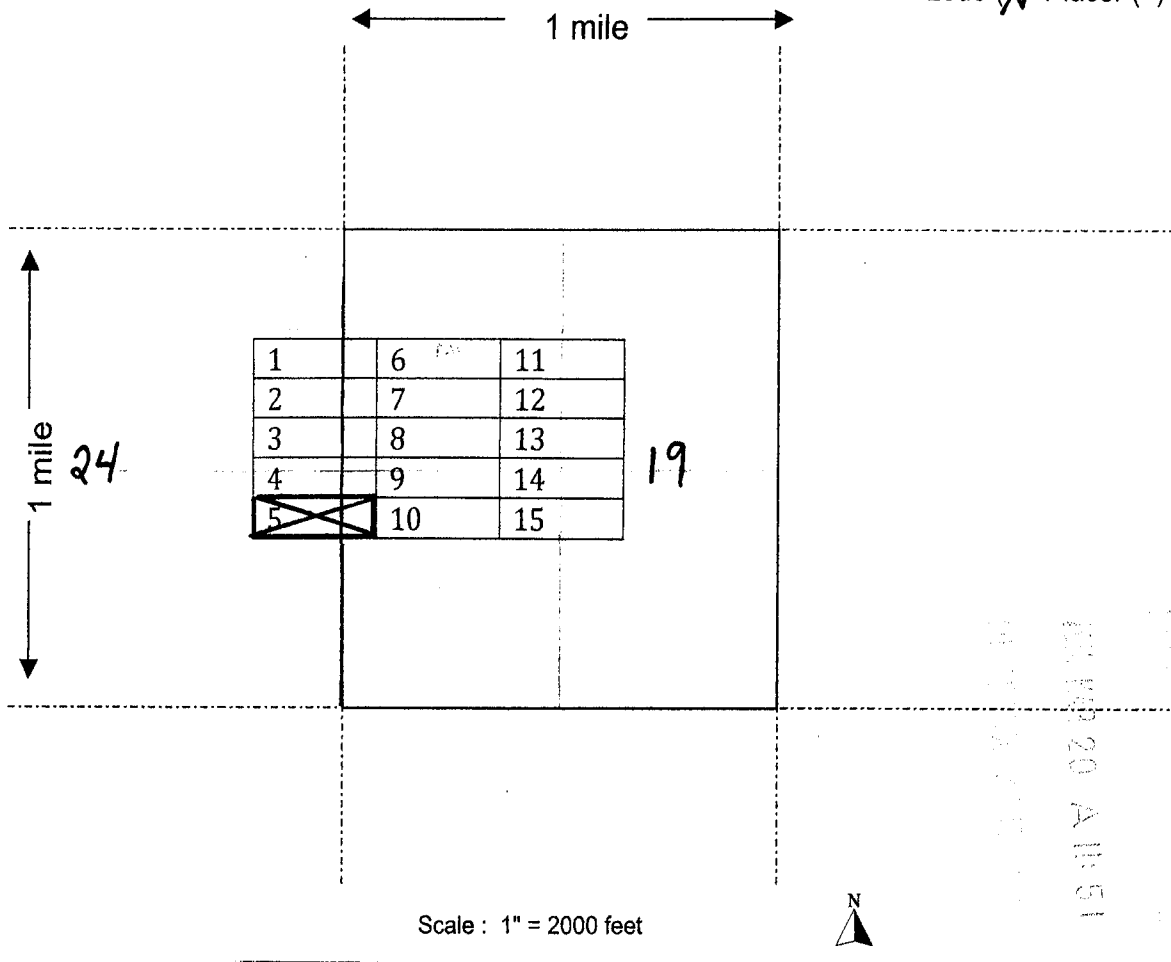
The locality of this claim with reference to some natural object or permanent monument and additional information (if any) concerning its locality are as follows: Begin at the SE corner (brass cap in place), Section 31, T.10 N., R.13 W., Gila & Salt River Meridian, bear 13,200 feet North then bear 4500 feet West to the Northeast corner of this claim.

DATED AND POSTED on the ground this 13 day of February, 2014.
LOCATOR (s) Cristol Enterprises LLC D. J. Till

AMC 427639

MINING CLAIM MAP

Lode (X) Placer ()



1. The above map depicts the **BERNARD 5** mining claim, which is located in Section (s) 24 & 19, Township 0100 North, Range 0140 West, and Township 0100 North, Range 0130 West, La Paz County, Arizona.

2. The type of corner and location monuments used are as follows: Flagged wooden (2"x2"x5') posts with properly inscribed metal tags to indicate the intended location.

3. The bearings and distances in degrees and feet between claim corners are as depicted on the map.

AM0427639

When recorded return to

Cristol Enterprises LLC
870 Innisfree Drive
St. Charles, MO 63301

LOCATION NOTICE FOR MINING CLAIM

NOTICE IS HEREBY GIVEN that **BERNARD 6** lode mining claim has been located by Cristol Enterprises LLC whose current mailing address is 870 Innisfree Dr.
St. Charles, MO 63301

BLM
DATE
STAMP
MAR 20 AM 11:01

The general course of this claim is east/west and it is situated in La Paz County, Arizona. This claim is 1500 feet in length and 600 feet in width. This claim runs from the location monument on which this location notice is posted approximately 1480 feet in a easterly direction to the east end line and 20 feet in a westerly direction to the west end line. This claim is marked by six monuments, one at each corner and one at the center of each end line of the claim.

The location monument on which this notice is posted is situated within Section 19, Township 0100 North, Range 0130 West, Gila Salt River Base and Meridian, Arizona, and this claim encompasses portions of the following quarter section (s), section (s), Township (s), and Range (s) NW ¼ Section 19, Township 0100 North, Range 0130 West, Gila Salt River Base and Meridian, La Paz County, Arizona.

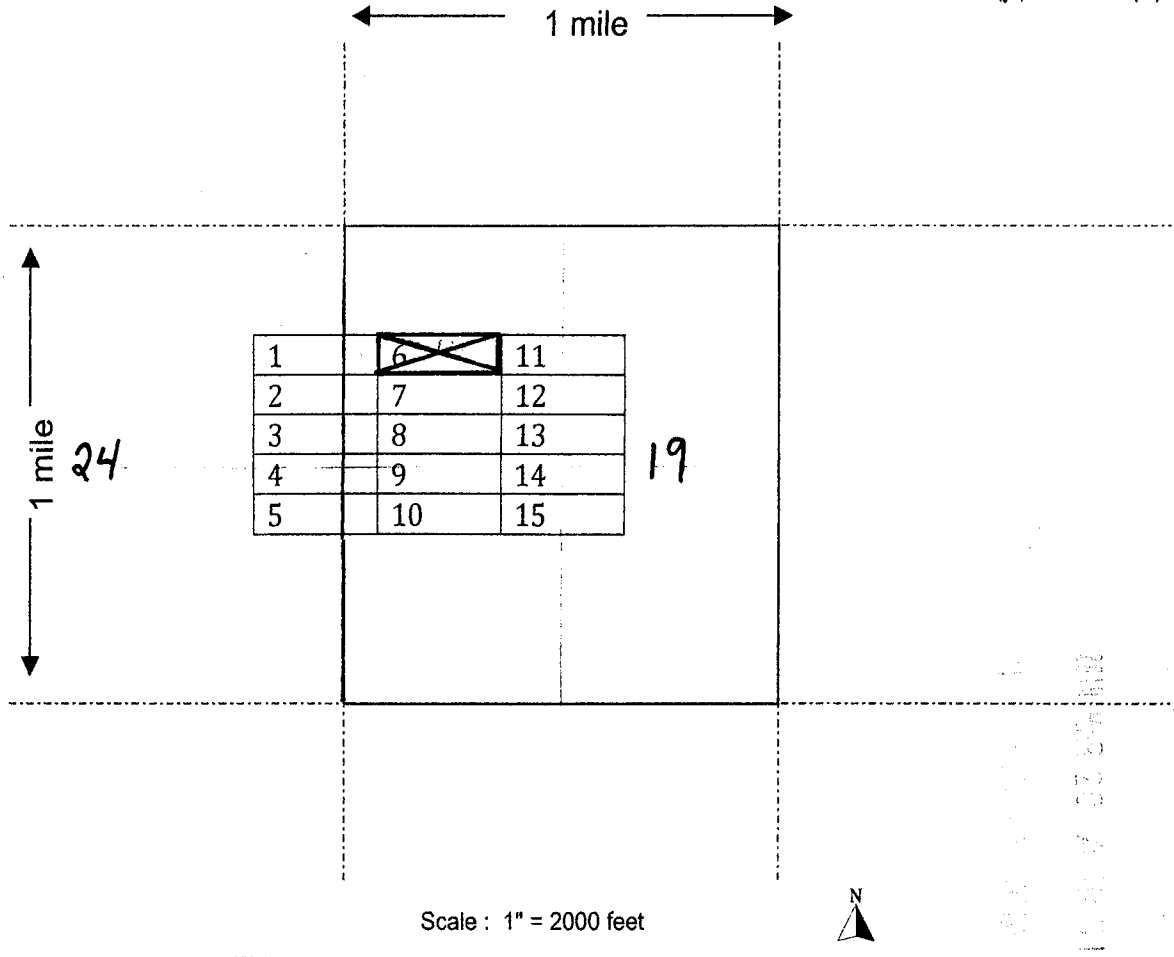
The locality of this claim with reference to some natural object or permanent monument and additional information (if any) concerning its locality are as follows: Begin at the SE corner (brass cap in place), Section 31, T.10 N., R.13 W., Gila & Salt River Meridian, bear 15,600 feet North then bear 3000 feet West to the Northeast corner of this claim.

DATED AND POSTED on the ground this 13 day of February, 20 14.
LOCATOR (s) Cristol Enterprises LLC Daniel L. Telle

AMC427640

MINING CLAIM MAP

Lode (X) Placer ()



1. The above map depicts the **BERNARD 6** mining claim, which is located in Section (s) 19, Township 0100 North, Range 0130 West, La Paz County, Arizona.
2. The type of corner and location monuments used are as follows: Flagged wooden (2"x2"x5') posts with properly inscribed metal tags to indicate the intended location.
3. The bearings and distances in degrees and feet between claim corners are as depicted on the map.

AMC 427640

When recorded return to _____

Cristol Enterprises LLC
870 Innisfree Drive
St. Charles, MO 63301

LOCATION NOTICE FOR MINING CLAIM

NOTICE IS HEREBY GIVEN that **BERNARD 7**
lode mining claim has been located by
Cristol Enterprises LLC whose current mailing address
is 870 Innisfree Dr.
St. Charles, MO 63301

BLM
DATE
STAMP
FEB 20 11 51 AM '14

The general course of this claim is east/west and it is situated in La Paz County, Arizona. This claim is 1500 feet in length and 600 feet in width. This claim runs from the location monument on which this location notice is posted approximately 1480 feet in a easterly direction to the east end line and 20 feet in a westerly direction to the west end line. This claim is marked by six monuments, one at each corner and one at the center of each end line of the claim.

The location monument on which this notice is posted is situated within Section 19, Township 0100 North, Range 0130 West, Gila Salt River Base and Meridian, Arizona, and this claim encompasses portions of the following quarter section (s), section (s), Township (s), and Range (s) NW ¼ Section 19, Township 0100 North, Range 0130 West, Gila Salt River Base and Meridian, La Paz County, Arizona.

The locality of this claim with reference to some natural object or permanent monument and additional information (if any) concerning its locality are as follows: Begin at the SE corner (brass cap in place), Section 31, T.10 N., R.13 W., Gila & Salt River Meridian, bear 15,000 feet North then bear 3000 feet West to the Northeast corner of this claim.

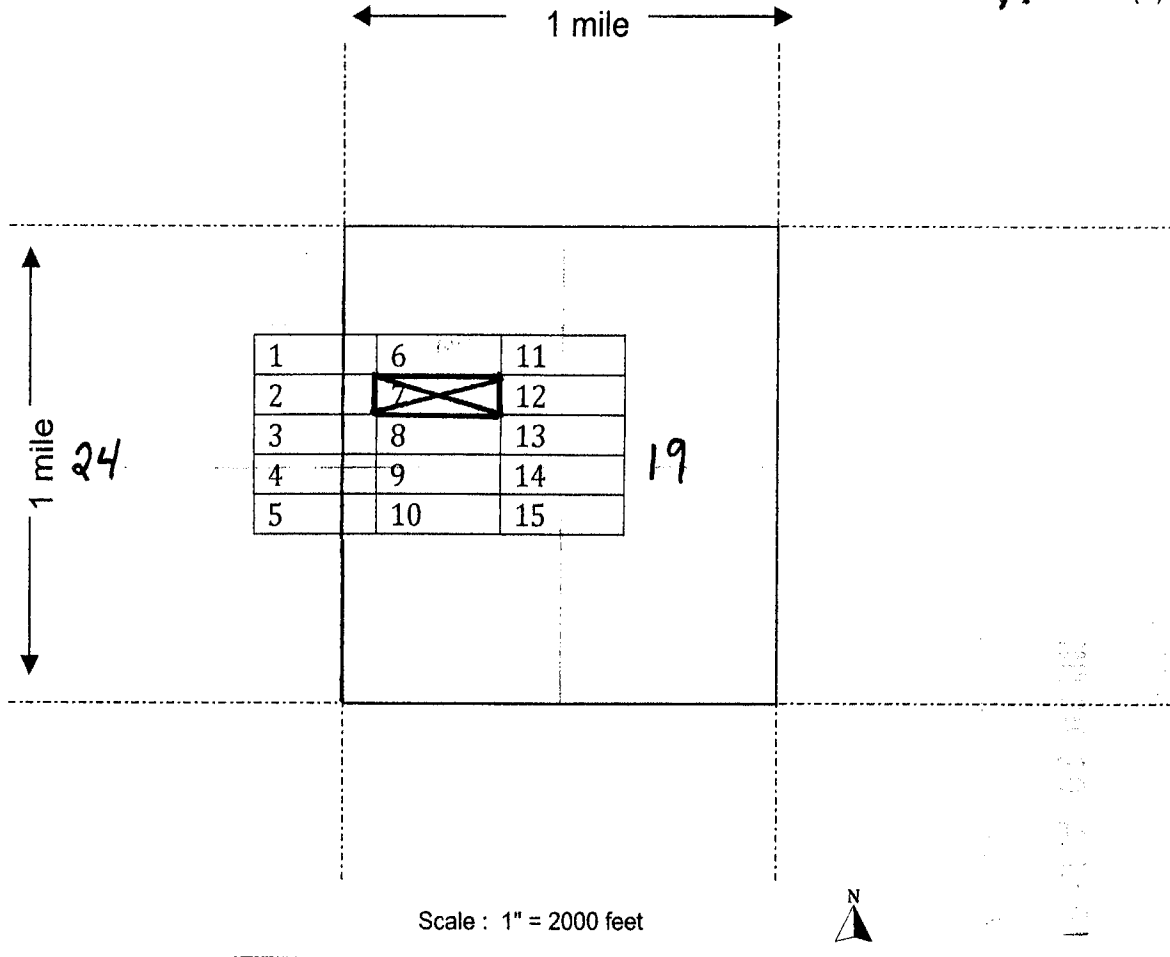
AM04276411

DATED AND POSTED on the ground this 13 day of February, 2014.

LOCATOR (s) Cristol Enterprises LLC D. J. C. Till

MINING CLAIM MAP

Lode  Placer ()



1. The above map depicts the **BERNARD 7** mining claim, which is located in Section (s) 19, Township 0100 North, Range 0130 West, La Paz County, Arizona.

2. The type of corner and location monuments used are as follows: Flagged wooden (2"x2"x5') posts with properly inscribed metal tags to indicate the intended location.

3. The bearings and distances in degrees and feet between claim corners are as depicted on the map.

AMC 4276411

When recorded return to _____

Cristol Enterprises LLC
870 Innisfree Drive
St. Charles, MO 63301

LOCATION NOTICE FOR MINING CLAIM

NOTICE IS HEREBY GIVEN that **BERNARD B**
lode mining claim has been located by
Cristol Enterprises LLC whose current mailing address
is 870 Innisfree Dr.
St. Charles, MO 63301

BLM
DATE
STAMP
MAR 20 11:51
ARIZONA

The general course of this claim is east/west and it is situated in La Paz County, Arizona. This claim is 1500 feet in length and 600 feet in width. This claim runs from the location monument on which this location notice is posted approximately 1480 feet in a easterly direction to the east end line and 20 feet in a westerly direction to the west end line. This claim is marked by six monuments, one at each corner and one at the center of each end line of the claim.

The location monument on which this notice is posted is situated within Section 19, Township 0100 North, Range 0130 West, Gila Salt River Base and Meridian, Arizona, and this claim encompasses portions of the following quarter section (s), section (s), Township (s), and Range (s) NW ¼ Section 19, Township 0100 North, Range 0130 West, Gila Salt River Base and Meridian, La Paz County, Arizona.

The locality of this claim with reference to some natural object or permanent monument and additional information (if any) concerning its locality are as follows: Begin at the SE corner (brass cap in place), Section 31, T.10 N., R.13 W., Gila & Salt River Meridian, bear 14,400 feet North then bear 3000 feet West to the Northeast corner of this claim.

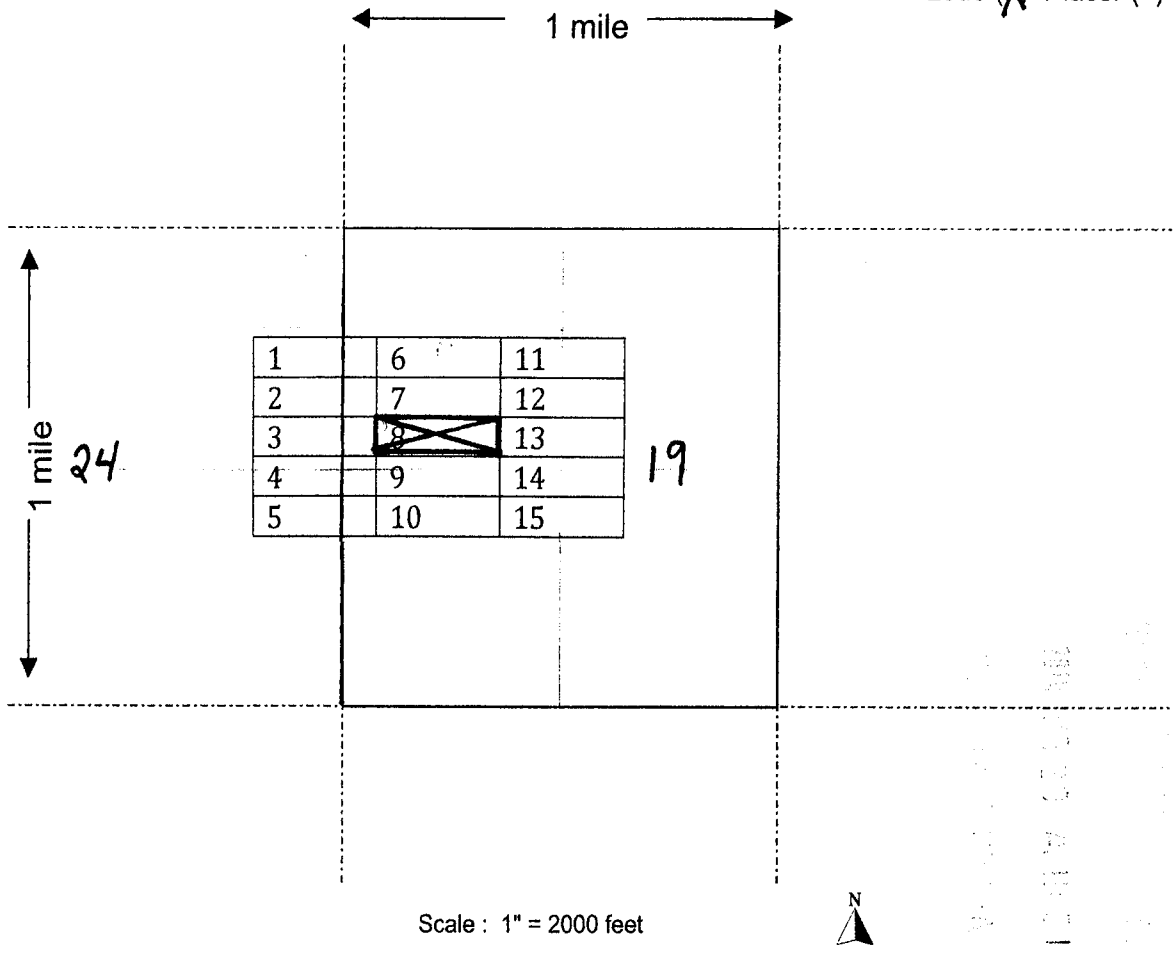
DATED AND POSTED on the ground this 13 day of February, 20 14.

LOCATOR (s) Cristol Enterprises LLC D. L. Till

AMC4276421

MINING CLAIM MAP

Lode (X) Placer ()



1. The above map depicts the **BERNARD 8** mining claim, which is located in Section (s) 19, Township 0100 North, Range 0130 West, La Paz County, Arizona.
2. The type of corner and location monuments used are as follows: Flagged wooden (2"x2"x5') posts with properly inscribed metal tags to indicate the intended location.
3. The bearings and distances in degrees and feet between claim corners are as depicted on the map.

AMC4276421

When recorded return to

Cristol Enterprises LLC
870 Innisfree Drive
St. Charles, MO 63301

LOCATION NOTICE FOR MINING CLAIM

NOTICE IS HEREBY GIVEN that **BERNARD 9** lode mining claim has been located by Cristol Enterprises LLC whose current mailing address is 870 Innisfree Dr.
St. Charles, MO 63301

BLM
DATE
STAMP
2014 MAR 20 4:11:51

The general course of this claim is east/west and it is situated in La Paz County, Arizona. This claim is 1500 feet in length and 600 feet in width. This claim runs from the location monument on which this location notice is posted approximately 1480 feet in a easterly direction to the east end line and 20 feet in a westerly direction to the west end line. This claim is marked by six monuments, one at each corner and one at the center of each end line of the claim.

The location monument on which this notice is posted is situated within Section 19, Township 0100 North, Range 0130 West, Gila Salt River Base and Meridian, Arizona, and this claim encompasses portions of the following quarter section (s), section (s), Township (s), and Range (s) NW ¼ Section 19, Township 0100 North, Range 0130 West and SW ¼ Section 19, Township 0100 North, Range 0130 West, Gila Salt River Base and Meridian, La Paz County, Arizona.

The locality of this claim with reference to some natural object or permanent monument and additional information (if any) concerning its locality are as follows: Begin at the SE corner (brass cap in place), Section 31, T.10 N., R.13 W., Gila & Salt River Meridian, bear 13,800 feet North then bear 3000 feet West to the Northeast corner of this claim.

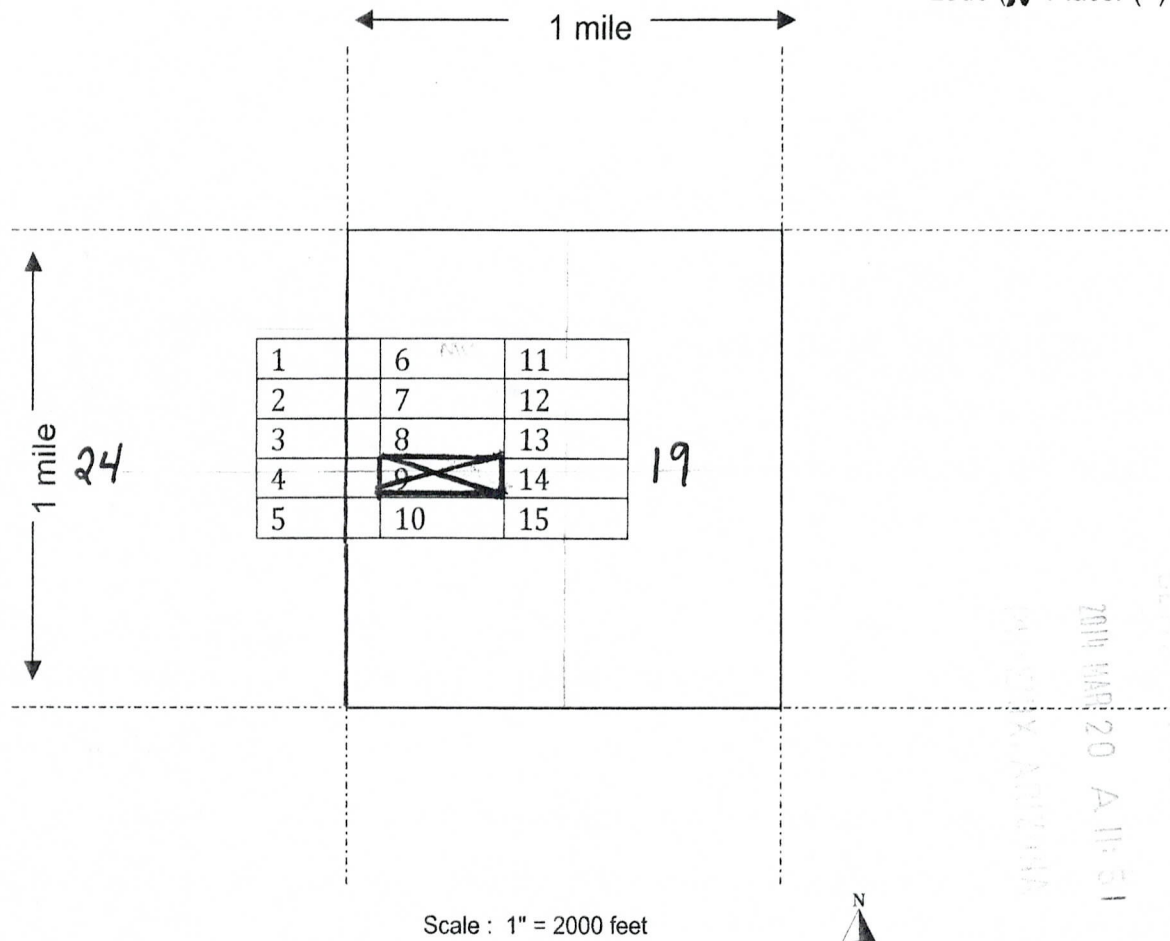
DATED AND POSTED on the ground this 13 day of February, 20 14.

LOCATOR (s) Cristol Enterprises LLC Daniel C. Telle

AMC4276431

MINING CLAIM MAP

Lode (X) Placer ()



1. The above map depicts the **BERNARD 9** mining claim, which is located in Section (s) 19, Township 0100 North, Range 0130 West, La Paz County, Arizona.

2. The type of corner and location monuments used are as follows: Flagged wooden (2"x2"x5') posts with properly inscribed metal tags to indicate the intended location.

3. The bearings and distances in degrees and feet between claim corners are as depicted on the map.

AM04276431

When recorded return to
Cristol Enterprises LLC
870 Innisfree Drive
St. Charles, MO 63301

LOCATION NOTICE FOR MINING CLAIM

NOTICE IS HEREBY GIVEN that **BERNARD 10** lode mining claim has been located by Cristol Enterprises LLC whose current mailing address is 870 Innisfree Dr.
St. Charles, MO 63301

BLM
DATE
STAMP
MAR 20 11:51
BLM

The general course of this claim is east/west and it is situated in La Paz County, Arizona. This claim is 1500 feet in length and 600 feet in width. This claim runs from the location monument on which this location notice is posted approximately 1480 feet in a easterly direction to the east end line and 20 feet in a westerly direction to the west end line. This claim is marked by six monuments, one at each corner and one at the center of each end line of the claim.

The location monument on which this notice is posted is situated within Section 19, Township 0100 North, Range 0130 West, Gila Salt River Base and Meridian, Arizona, and this claim encompasses portions of the following quarter section (s), section (s), Township (s), and Range (s) SW ¼ Section 19, Township 0100 North, Range 0130 West, Gila Salt River Base and Meridian, La Paz County, Arizona.

The locality of this claim with reference to some natural object or permanent monument and additional information (if any) concerning its locality are as follows: Begin at the SE corner (brass cap in place), Section 31, T.10 N., R.13 W., Gila & Salt River Meridian, bear 13,800 feet North then bear 3000 feet West to the Northeast corner of this claim.

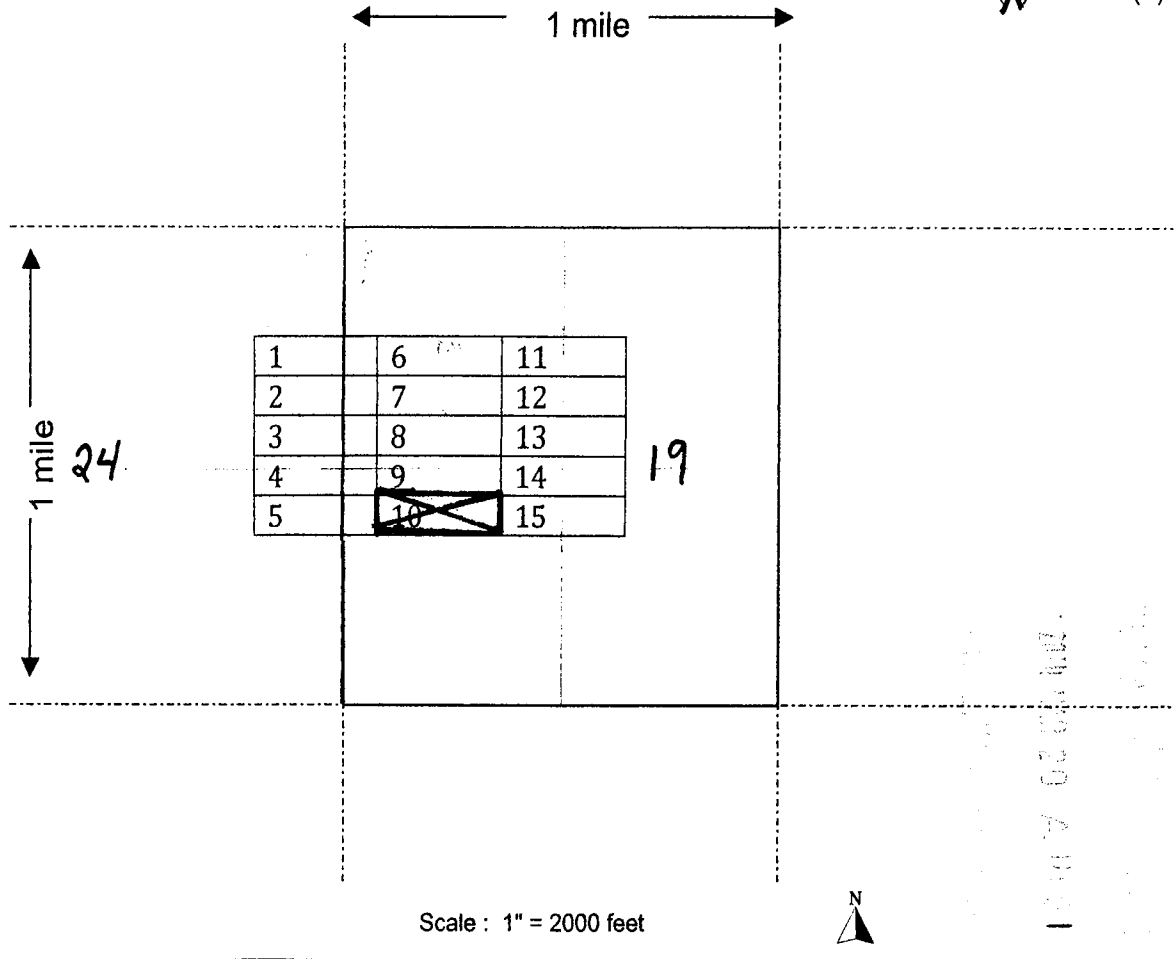
DATED AND POSTED on the ground this 13 day of February, 20 14.

LOCATOR (s) Cristol Enterprises LLC Daniel C. Tell

AMC 427644

MINING CLAIM MAP

Lode  Placer ()



1. The above map depicts the **BERNARD 10** mining claim, which is located in Section (s) 19, Township 0100 North, Range 0130 West, La Paz County, Arizona.
2. The type of corner and location monuments used are as follows: Flagged wooden (2"x2"x5') posts with properly inscribed metal tags to indicate the intended location.
3. The bearings and distances in degrees and feet between claim corners are as depicted on the map.

AM0427644

When recorded return to _____

Cristol Enterprises LLC
870 Innisfree Drive
St. Charles, MO 63301

LOCATION NOTICE FOR MINING CLAIM

NOTICE IS HEREBY GIVEN that **BERNARD 11**
lode mining claim has been located by
Cristol Enterprises LLC whose current mailing address
is 870 Innisfree Dr.
St. Charles, MO 63301

BLM
DATE
STAMP
MAR 20 A 11:50
GILA & SALT RIVER MERIDIAN
LA PAZ COUNTY, ARIZONA

The general course of this claim is east/west and it is situated in La Paz County, Arizona. This claim is 1500 feet in length and 600 feet in width. This claim runs from the location monument on which this location notice is posted approximately 1480 feet in a easterly direction to the east end line and 20 feet in a westerly direction to the west end line. This claim is marked by six monuments, one at each corner and one at the center of each end line of the claim.

The location monument on which this notice is posted is situated within Section 19, Township 0100 North, Range 0130 West, Gila Salt River Base and Meridian, Arizona, and this claim encompasses portions of the following quarter section (s), section (s), Township (s), and Range (s) NW ¼ Section 19, Township 0100 North, Range 0130 West and NE ¼ Section 19, Township 0100 North, Range 0130 West, Gila Salt River Base and Meridian, La Paz County, Arizona.

The locality of this claim with reference to some natural object or permanent monument and additional information (if any) concerning its locality are as follows: Begin at the SE corner (brass cap in place), Section 31, T.10 N., R.13 W., Gila & Salt River Meridian, bear 15,600 feet North then bear 1500 feet West to the Northeast corner of this claim.

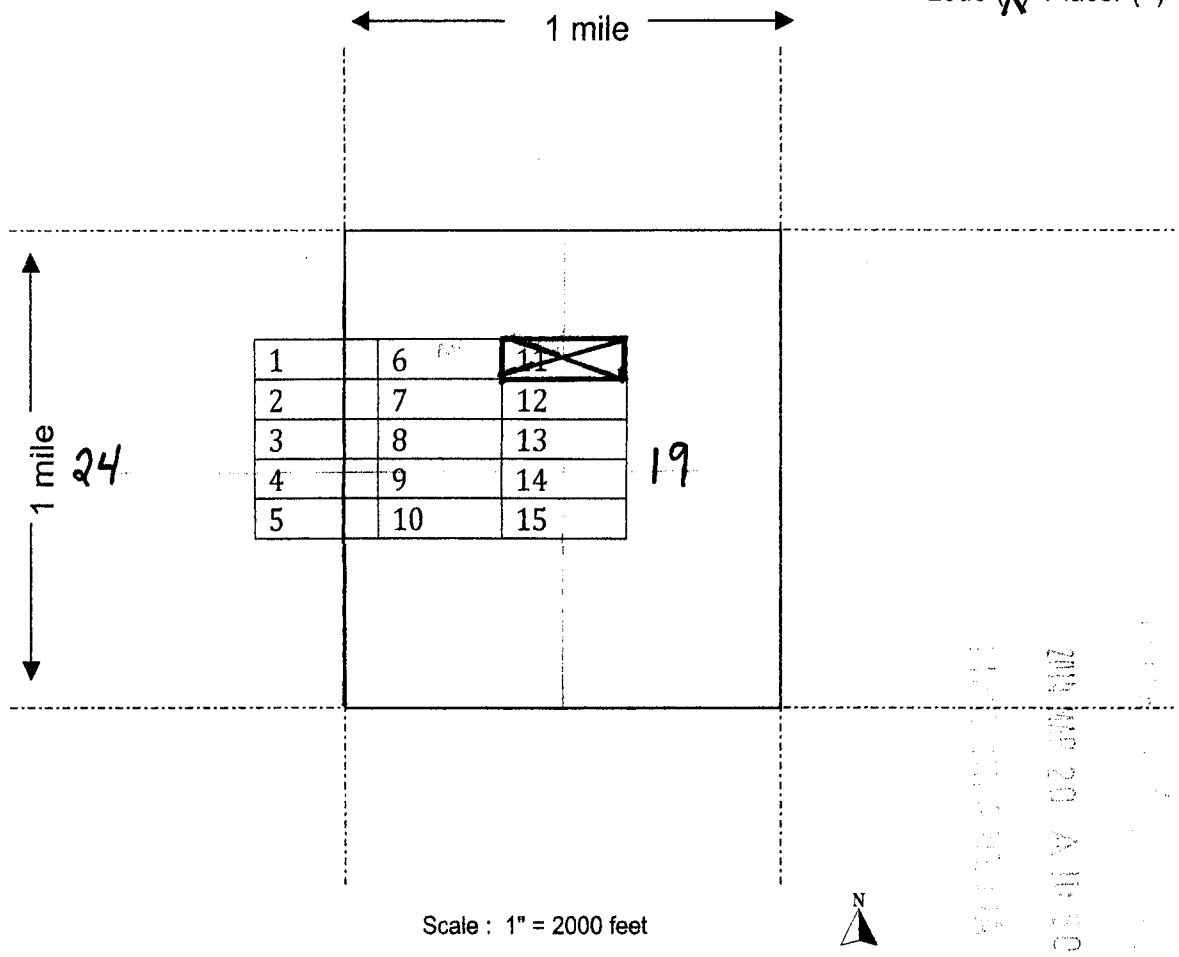
DATED AND POSTED on the ground this 13 day of February, 2014.

LOCATOR (s) Cristol Enterprises LLC [Signature]

AMC 427645

MINING CLAIM MAP

Lode ~~(X)~~ Placer ()



1. The above map depicts the **BERNARD 11** mining claim, which is located in Section (s) 19, Township 0100 North, Range 0130 West, La Paz County, Arizona.

2. The type of corner and location monuments used are as follows: Flagged wooden (2"x2"x5') posts with properly inscribed metal tags to indicate the intended location.

3. The bearings and distances in degrees and feet between claim corners are as depicted on the map.

AM0427645

When recorded return to

Cristol Enterprises LLC
870 Innisfree Drive
St. Charles, MO 63301

LOCATION NOTICE FOR MINING CLAIM

NOTICE IS HEREBY GIVEN that **BERNARD 12** lode mining claim has been located by Cristol Enterprises LLC whose current mailing address is 870 Innisfree Dr.
St. Charles, MO 63301

BLM
DATE
STAMP
RECEIVED
BLM ARIZONA OFFICE
2014 MAR 20 A 11:50
MILLENIX, ARIZONA

The general course of this claim is east/west and it is situated in La Paz County, Arizona. This claim is 1500 feet in length and 600 feet in width. This claim runs from the location monument on which this location notice is posted approximately 1480 feet in a easterly direction to the east end line and 20 feet in a westerly direction to the west end line. This claim is marked by six monuments, one at each corner and one at the center of each end line of the claim.

The location monument on which this notice is posted is situated within Section 19, Township 0100 North, Range 0130 West, Gila Salt River Base and Meridian, Arizona, and this claim encompasses portions of the following quarter section (s), section (s), Township (s), and Range (s) NW ¼ Section 19, Township 0100 North, Range 0130 West and NE ¼ Section 19, Township 0100 North, Range 0130 West, Gila Salt River Base and Meridian, La Paz County, Arizona.

The locality of this claim with reference to some natural object or permanent monument and additional information (if any) concerning its locality are as follows: Begin at the SE corner (brass cap in place), Section 31, T.10 N., R.13 W., Gila & Salt River Meridian, bear 15,000 feet North then bear 1500 feet West to the Northeast corner of this claim.

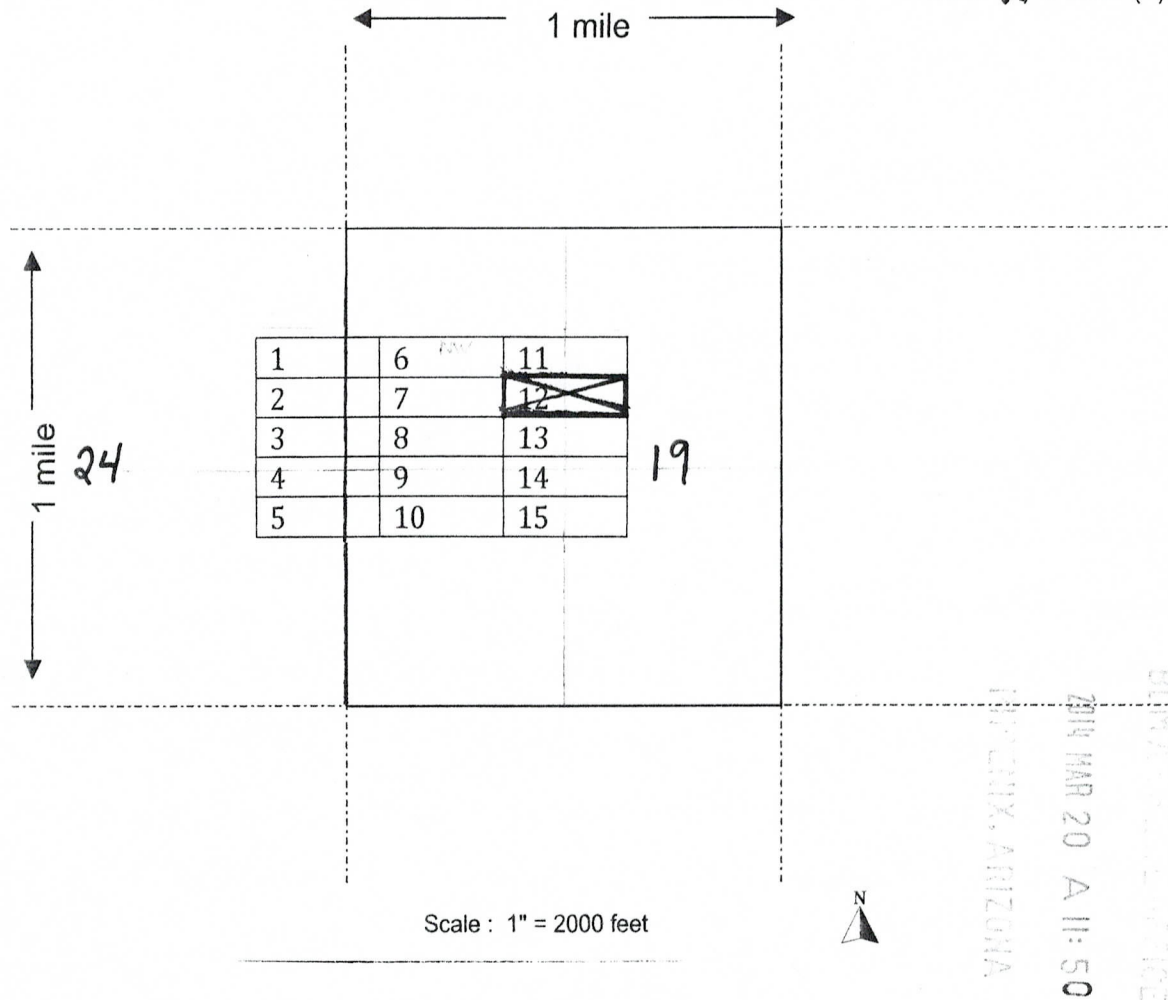
AMC 427646

DATED AND POSTED on the ground this 13 day of February, 20 14.

LOCATOR (s) Cristol Enterprises LLC [Signature]

MINING CLAIM MAP

Lode (X) Placer ()



1. The above map depicts the **BERNARD 12** mining claim, which is located in Section (s) 19, Township 0100 North, Range 0130 West, La Paz County, Arizona.
2. The type of corner and location monuments used are as follows: Flagged wooden (2"x2"x5') posts with properly inscribed metal tags to indicate the intended location.
3. The bearings and distances in degrees and feet between claim corners are as depicted on the map.

AMC 4276461

When recorded return to

Cristol Enterprises LLC
870 Innisfree Drive
St. Charles, MO 63301

LOCATION NOTICE FOR MINING CLAIM

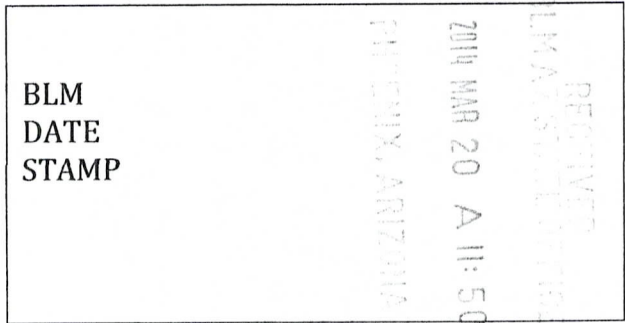
NOTICE IS HEREBY GIVEN that **BERNARD 13**

lode mining claim has been located by

Cristol Enterprises LLC whose current mailing address

is 870 Innisfree Dr.

St. Charles, MO 63301



The general course of this claim is east/west and it is situated in La Paz County, Arizona. This claim is 1500 feet in length and 600 feet in width. This claim runs from the location monument on which this location notice is posted approximately 1480 feet in a easterly direction to the east end line and 20 feet in a westerly direction to the west end line. This claim is marked by six monuments, one at each corner and one at the center of each end line of the claim.

The location monument on which this notice is posted is situated within Section 19, Township 0100 North, Range 0130 West, Gila Salt River Base and Meridian, Arizona, and this claim encompasses portions of the following quarter section (s), section (s), Township (s), and Range (s) NW ¼ Section 19, Township 0100 North, Range 0130 West and NE ¼ Section 19, Township 0100 North, Range 0130 West, Gila Salt River Base and Meridian, La Paz County, Arizona.

The locality of this claim with reference to some natural object or permanent monument and additional information (if any) concerning its locality are as follows: Begin at the SE corner (brass cap in place), Section 31, T.10 N., R.13 W., Gila & Salt River Meridian, bear 14,400 feet North then bear 1500 feet West to the Northeast corner of this claim.

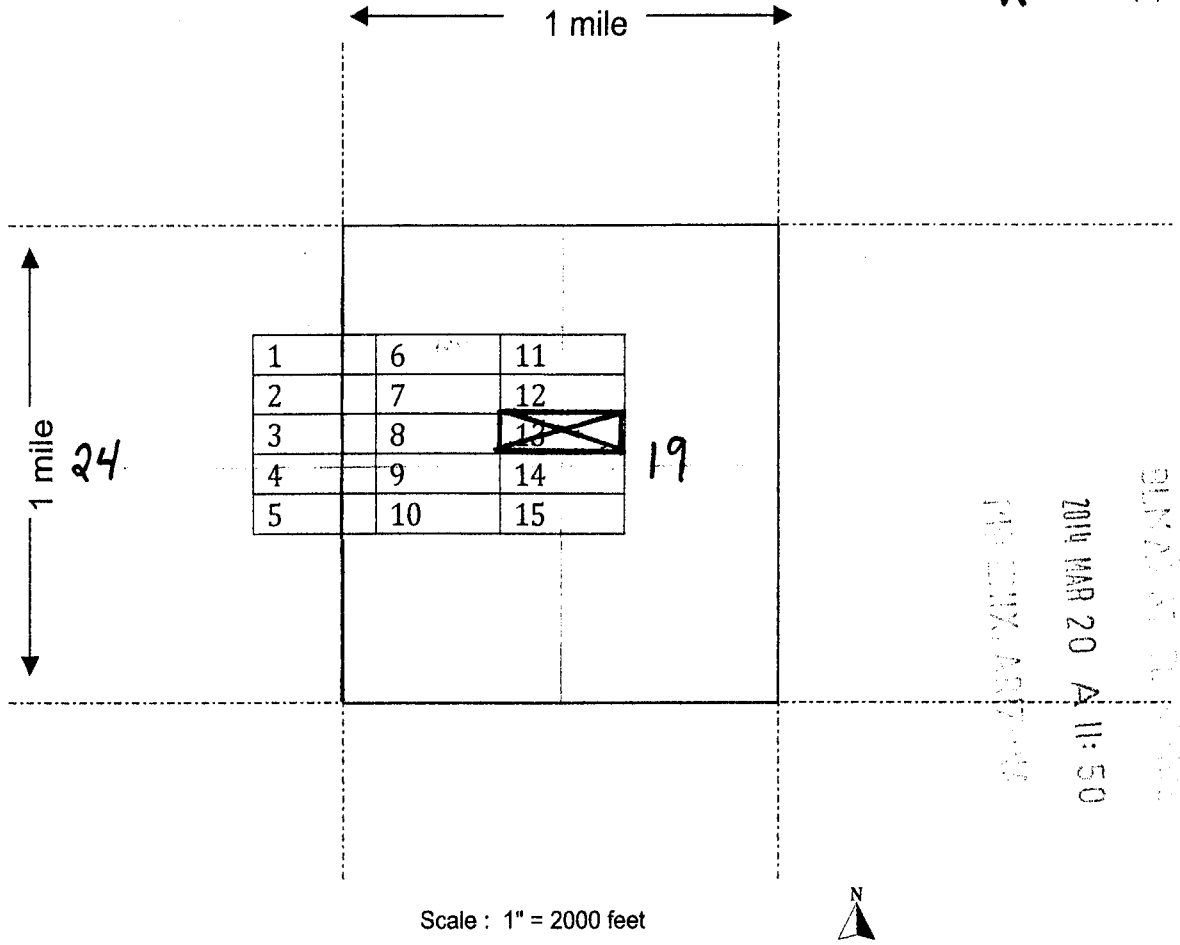
DATED AND POSTED on the ground this 13 day of February, 2014.

LOCATOR (s) Cristol Enterprises LLC D. J. C. T. L.

AMC4276471

MINING CLAIM MAP

Lode  Placer ()



1. The above map depicts the **BERNARD 13** mining claim, which is located in Section (s) 19, Township 0100 North, Range 0130 West, La Paz County, Arizona.
2. The type of corner and location monuments used are as follows: Flagged wooden (2"x2"x5') posts with properly inscribed metal tags to indicate the intended location.
3. The bearings and distances in degrees and feet between claim corners are as depicted on the map.

AMC4276471

When recorded return to

Cristol Enterprises LLC
870 Innisfree Drive
St. Charles, MO 63301

LOCATION NOTICE FOR MINING CLAIM

NOTICE IS HEREBY GIVEN that **BERNARD 14** lode mining claim has been located by Cristol Enterprises LLC whose current mailing address is 870 Innisfree Dr.
St. Charles, MO 63301

RECEIVED
BLM ALBUQUERQUE OFFICE
2014 MAR 20 A 11:50
MERCER, ARIZONA
BLM
DATE
STAMP

The general course of this claim is east/west and it is situated in La Paz County, Arizona. This claim is 1500 feet in length and 600 feet in width. This claim runs from the location monument on which this location notice is posted approximately 1480 feet in a easterly direction to the east end line and 20 feet in a westerly direction to the west end line. This claim is marked by six monuments, one at each corner and one at the center of each end line of the claim.

The location monument on which this notice is posted is situated within Section 19, Township 0100 North, Range 0130 West, Gila Salt River Base and Meridian, Arizona, and this claim encompasses portions of the following quarter section (s), section (s), Township (s), and Range (s) NW ¼ Section 19, Township 0100 North, Range 0130 West and NE ¼ Section 19, Township 0100 North, Range 0130 West, SW ¼ Section 19, Township 0100 North, Range 0130 West and SE ¼ Section 19, Township 0100 North, Range 0130 West, Gila Salt River Base and Meridian, La Paz County, Arizona.

The locality of this claim with reference to some natural object or permanent monument and additional information (if any) concerning its locality are as follows: Begin at the SE corner (brass cap in place), Section 31, T.10 N., R.13 W., Gila & Salt River Meridian, bear 13,800 feet North then bear 1500 feet West to the Northeast corner of this claim.

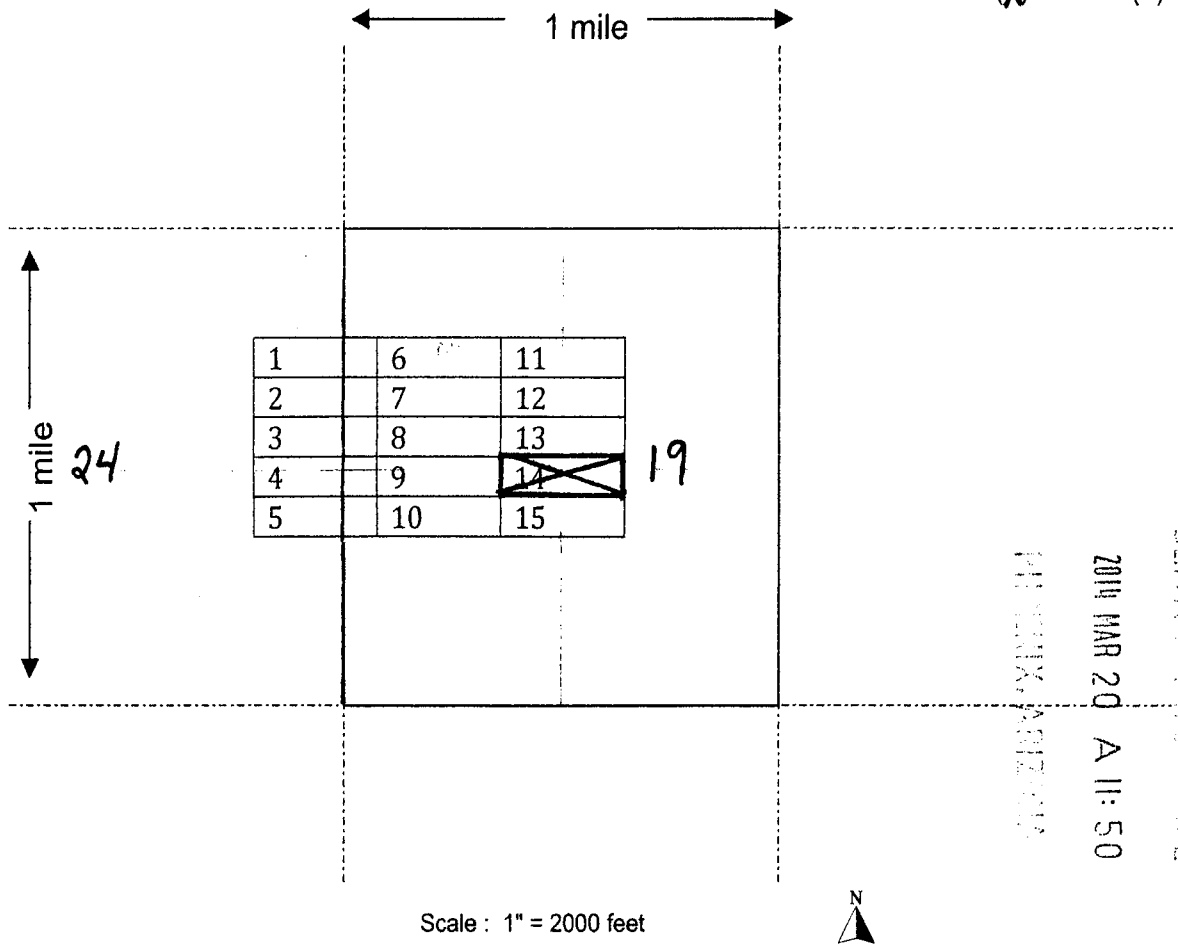
DATED AND POSTED on the ground this 13 day of February, 20 14.

LOCATOR (s) Cristol Enterprises LLC D. J. Telle

AMC 427648

MINING CLAIM MAP

Lode (X) Placer ()



RECEIVED
 PLM/ARIZONA
 2014 MAR 20 A 11:50
 PHOENIX, ARIZONA

AMC 427648

1. The above map depicts the **BERNARD 14** mining claim, which is located in Section (s) 19, Township 0100 North, Range 0130 West, La Paz County, Arizona.
2. The type of corner and location monuments used are as follows: Flagged wooden (2"x2"x5') posts with properly inscribed metal tags to indicate the intended location.
3. The bearings and distances in degrees and feet between claim corners are as depicted on the map.

When recorded return to

Cristol Enterprises LLC
870 Innisfree Drive
St. Charles, MO 63301

LOCATION NOTICE FOR MINING CLAIM

NOTICE IS HEREBY GIVEN that **BERNARD 15** lode mining claim has been located by Cristol Enterprises LLC whose current mailing address is 870 Innisfree Dr.
St. Charles, MO 63301

RECEIVED
BLM ASSISTANT OFFICE
PHOENIX, ARIZONA
2014 MAR 20 A 11:50
BLM
DATE
STAMP

The general course of this claim is east/west and it is situated in La Paz County, Arizona. This claim is 1500 feet in length and 600 feet in width. This claim runs from the location monument on which this location notice is posted approximately 1480 feet in a easterly direction to the east end line and 20 feet in a westerly direction to the west end line. This claim is marked by six monuments, one at each corner and one at the center of each end line of the claim.

The location monument on which this notice is posted is situated within Section 19, Township 0100 North, Range 0130 West, Gila Salt River Base and Meridian, Arizona, and this claim encompasses portions of the following quarter section (s), section (s), Township (s), and Range (s) SW ¼ Section 19, Township 0100 North, Range 0130 West and SE ¼ Section 19, Township 0100 North, Range 0130 West, Gila Salt River Base and Meridian, La Paz County, Arizona.

The locality of this claim with reference to some natural object or permanent monument and additional information (if any) concerning its locality are as follows: Begin at the SE corner (brass cap in place), Section 31, T.10 N., R.13 W., Gila & Salt River Meridian, bear 13,200 feet North then bear 1500 feet West to the Northeast corner of this claim.

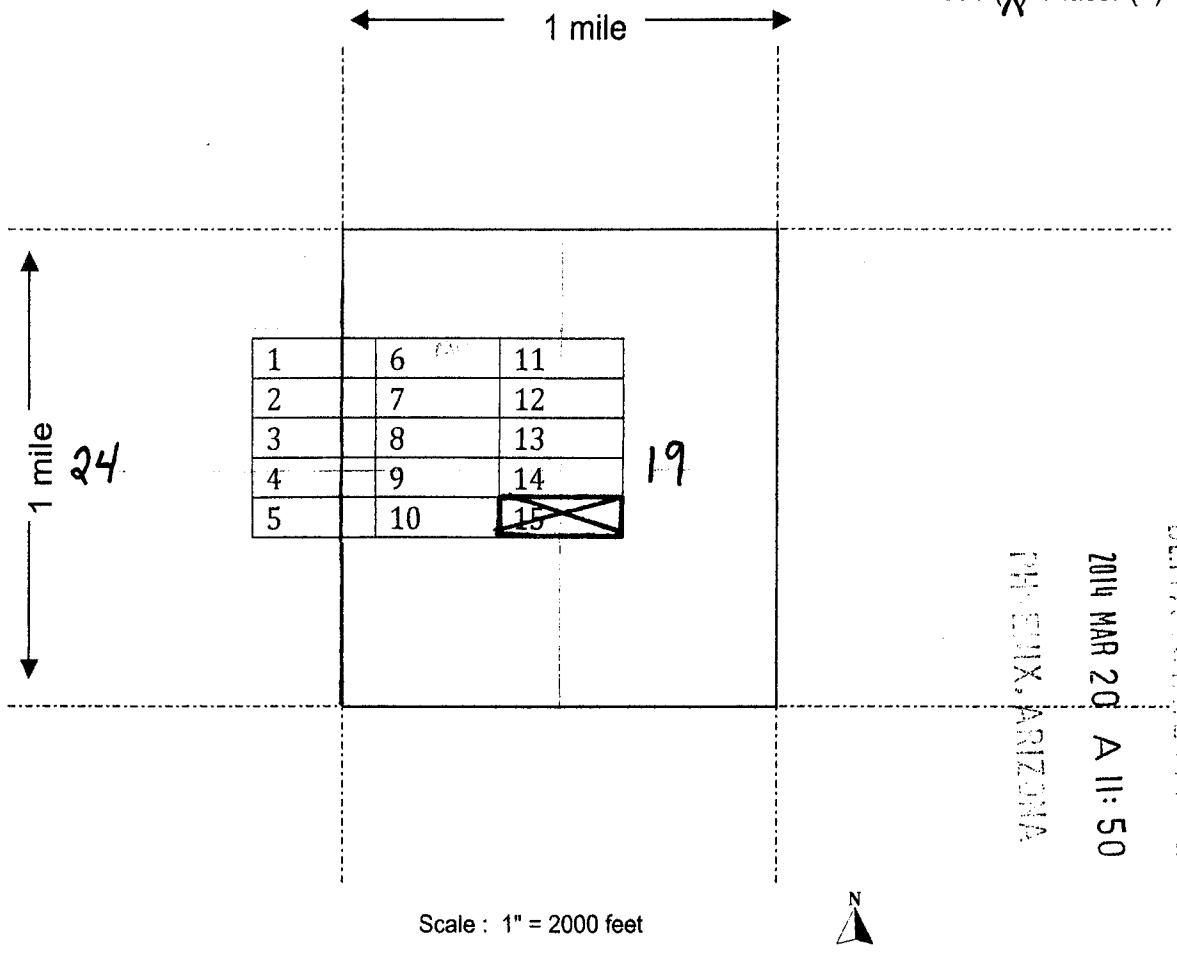
DATED AND POSTED on the ground this 13 day of February, 20 14.

LOCATOR (s) Cristol Enterprises LLC D. J. Till

AMC427649

MINING CLAIM MAP

Lode (X) Placer ()



1. The above map depicts the **BERNARD 15** mining claim, which is located in Section (s) 19, Township 0100 North, Range 0130 West, La Paz County, Arizona.
2. The type of corner and location monuments used are as follows: Flagged wooden (2"x2"x5') posts with properly inscribed metal tags to indicate the intended location.
3. The bearings and distances in degrees and feet between claim corners are as depicted on the map.

AMC 427649

To Whom It May Concern:

Should you have any questions, please contact Cris Cristea at 314-495-1258.

Kindest regards,

Cris Cristea

AMC 421635
2019 JUN 20 A 11:52
10 1000 1000-00

AMC421635

DEPARTMENT OF INTERIOR
BUREAU OF LAND MANAGEMENT

Input Parameters for Geographic Report with Land

System Id = CR

Admin State = AZ

Geo State = AZ

Casetype Begins With

Case Disp Txt = AUTHORIZED, CANCELLED, EXPIRED, PENDING, REJECTED, RELINQUISHED, WITHDRAWN

Mer Twp Rng =

Section =

Mtrs = 14 0100N 0130W 019, 14 0100N 0130W 999, 14 0100N 0140W 024, 14 0100N 0140W 999

Commodity =

Commodity Txt =

Pending Org =

Pend Org Decode =

Total Rows Returned: 2

RUN TIME: 02:44 PM

UNITED STATES DEPARTMENT OF INTERIOR
BUREAU OF LAND MANAGEMENT
GEOGRAPHIC REPORT WITH LAND
Sorted by Serial Number

RUN DATE: 04/02/2014
Page 1 of 1

Serial Number: AZA 034902
Total Case Acres: 4.350

<u>Casetype</u>	<u>Case Disp</u>				<u>Sect</u>	<u>Sur Typ</u>	<u>Sur Num</u>	<u>Suff</u>	<u>Subdivision</u>	<u>Act Pend</u>
380913	EXPIRED	14	0100N	0130W	019	ALIQ			E2;	

Serial Number: AZA 034902
Total Case Acres: 4.350

<u>Casetype</u>	<u>Case Disp</u>				<u>Sect</u>	<u>Sur Typ</u>	<u>Sur Num</u>	<u>Suff</u>	<u>Subdivision</u>	<u>Act Pend</u>
380913	EXPIRED	14	0100N	0140W	024	ALIQ			S2NENW;	



earthsmart
FedEx carbon-neutral
envelope shipping

**TRY FEDEX
ONE RATE**SM
Flat rate shipping that
delivers more.
fedex.com/tryonerate
114 NM13.001

ST 3.2
1554 03 20
R1 275 2
D

Align top of FedEx Express® shipping label here.

ORIGIN ID:ALNA (314) 495-1258	SHIP DATE: 19MAR14
CRISTOL ENTRPRISES, LLC 870 INNISFREE DR	ACTWGT: 0.5 LB CAD: 6990274/SSFO1501
SAINTE CHARLES, MO 63301 UNITED STATES US	BILL CREDIT CARD

Part # 15297
Recycling symbol

TO
ARIZONA STATE OFFICE / BLM
ONE CENTRAL AVE
SUITE 800 / IAC
PHOENIX AZ 85004
(602) 417-9200 REF: DEPT:

Barcode
FedEx Express
E
J14101402070126

TRK# 7982 6490 1554
0201
THU - 20 MAR 10:30A
PRIORITY OVERNIGHT

XH ZSYA
85004
AZ-US PHX



RECEIVED
BLM AZ STATE OFFICE
20th MAR 20 A 11:49
PHOENIX, ARIZONA